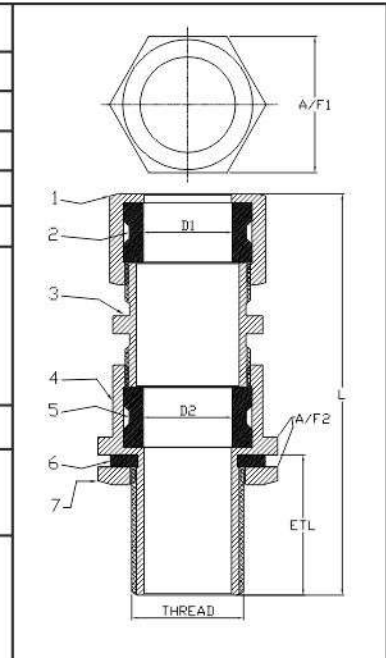




DOUBLE COMPRESSION CABLE GLANDS [FOR UN-ARMoured CABLES]:

These indoor and outdoor cable glands are especially designed for un-armoured & flexible cables, providing 2 nos. of environmental seal for outer sheath of cables having universal clamping range, allows the cable to be easily disconnected from the equipment, for maintenance and change out etc. **THIS IS THE NEW INVENTION OF ENTIRE RANGE, WE HAVE REGISTERED THIS DESIGN.**

TECHNICAL DATA:	
Type:	<i>Double Compression [for U/A. & flexible cables]</i>
Design Specification:	IS / IEC 60079 & IEC 60529 [FLP & W/P.]
Threads:	E.T., NPT & METRIC
Operating Temperature:	-30°C to + 100°C
Protection Class:	IP 66 (TESTED BY NATIONAL TEST HOUSE)
Gland Material:	Electro Nickel Plated Brass (General) <i>Material options:</i> Stainless steel, Mild steel & Aluminum <i>Plating options:</i> Chrome, Tin, Zinc
Seal Material:	Nitrile Rubber
Accessories (optional):	Shroud, Earth Tag, Blank plugs Adapter / Reducer, Entry Thread Seal
Part Number Details:	
1. Compression Nut 2. Outer Seal-1 3. Gland Nut 4. Gland Body 5. Outer Seal-2 6. Flat Washer 7. Lock Nut [Not applicable for NPT Thread]	



Cable Gland Selection Table: (All dimensions except thread sizes are in M.M.)

Note: Special / customized requirement will also be accepted.

GLAND SIZE (Cat. No.)	D1 & D2 Crimping Range	THREADS	ETL	A/F 1	A/F 2
3/8" (10 mm) UA	09 - 06	5/8" ET	25.00	18.00	20.00
1/2" (12 mm) UA	11 - 07	5/8" ET	25.00	18.00	20.00
5/8" (16 mm) UA	12 - 08	3/4" ET	25.00	20.00	23.00
3/4" (19 mm) UA	14 - 10	3/4" ET	25.00	23.00	23.00
7/8" (22 mm) UA	17 - 13	1" ET	25.00	24.00	31.50
1" (25 mm) UA	18 - 14	1" ET	25.00	25.50	31.50
1.1/8" (28 mm) UA	21 - 16	1.1/8" ET	25.00	31.00	33.00
1.1/4" (32 mm) UA	27 - 22	1.1/4" ET	25.00	36.00	39.00
1.3/8" (35 mm) UA	30 - 25	1.3/8" ET	25.00	39.50	42.00
1.1/2" (38 mm) UA	32 - 27	1.1/2" ET	25.00	42.50	46.00
1.3/4" (45 mm) UA	38 - 33	1.3/4" ET	25.00	50.00	54.00
2" (50 mm) UA	44 - 39	2" ET	25.00	56.50	59.00
2.1/4" (57 mm) UA	48 - 43	2.1/4" ET	25.00	61.00	66.00
2.1/2" (63 mm) UA	56 - 50	2.1/2" ET	25.00	67.00	74.50
2.3/4" (70 mm) UA	63 - 58	2.3/4" ET	25.00	74.50	82.50
3" (75 mm) UA	68 - 63	3" ET	25.00	82.50	92.50
3.1/4" (82 mm) UA	70 - 65	3.1/4" ET	25.00	84.00	94.00
3.1/2" (88 mm) UA	77 - 72	3.1/2" ET	25.00	92.50	102.00
4" (100 mm) UA	85 - 80	4" ET	25.00	102.00	115.00

*Dimensions are subject to be changed without any prior notice.



BS:6121-1-1989
NTH[WR]EL[C]/2019/
000483B
IP-66