



SIGMA INDUSTRIES

CABLE GLANDS, ACCESSORIES, COMPONENTS...



ISO:9001



ISO:14001



CM/L-289792



WE AT SIGMA INDUSTRIES...

...are engaged in manufacturing of precision metal components since 1996 with specialization in advanced cable accessories. Over the years we are continuously improving in development, manufacturing and supply chain to meet each and every requirement of our customers. We do have knowledge expert team who are very much enough for each & every spectrum of engineering excellence with our specialized products. We not only deals in our selected existing products, but we always welcome customized requirements even if small quantity, moreover we also design the product for approval if there is a total new development. We are committed to provide cost effective products & services with consistency in quality in all components of our products according to related national or inter-national standards.

As a part of CORPORATE SOCIAL RESPONSIBILITIES, we are associated with some national & international NGO & also with some organizations run by government of India.

We are well established with large in house manufacturing facilities with:

- 1. Modern machineries, 2. Latest testing & measuring equipments, 3. Tool room 4. Testing laboratory.

Moreover we also have a sound team of vendors & sub-contractors as back-up as well as for regular supply which help us to maintain the delivery schedules.

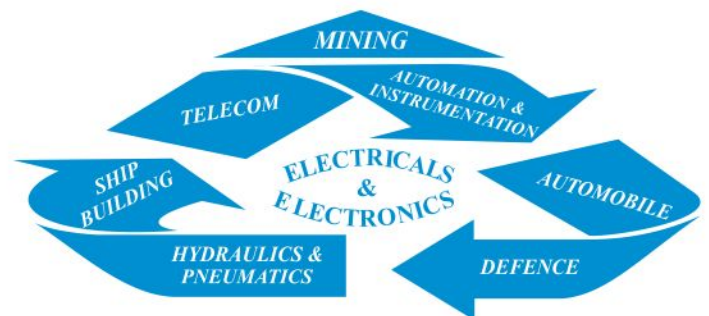
We are having different kinds of products & system approvals with a registered design for one particular product which are being mentioned with the technical details of products & copies of test certificates are located on page no. 30. We are keen to maintain our defined QUALITY POLICY as an ISO 9001 : 2015 registered firm & ENVIRONMENTAL POLICY as an ISO 14001 : 2015 firm [refer both policies on page no. 30].

We have one of the largest nation-wide dealer network in almost all states of INDIA to provide prompt & reliable services. Moreover our products are being supplied in 18 countries of 6 continents.

SOME OF OUR PRESTIGIOUS CUSTOMERS / END-USERS:



THE SPECTRUM WE SERVE





UNIVERSAL CABLE GLANDS WITH IP 68 PROTECTION:

This product is suitable for use at every place where, protection against dust, liquid, strain, twist & vibration is required. Especially in manufacture of measuring & controlling instruments, machineries & equipments, chemical technology and system manufacturing.

TECHNICAL DATA:

MATERIAL:			
Body With Lock Nut	Nickel Plated Brass	O Ring	Nitrile Rubber
Insert	Polyamide 6	Protection Class	IP 68 - 5 Bar [Tested by ERDA]
Sealing Ring	Neoprene Rubber	Temperature range	-30' to +100' C

Sr. No.	Type/ Size (Pg / M)	Clamping range (mm)	Entry Thread Length (mm)	Wrench Size (mm)	Max. Ass. Length (mm)
1	PG 7	2-6.5	5.00	14.00	23.00
2	PG 9	03-08	6.00	17.00	28.00
3	PG 11	04-10	6.00	20.00	29.00
4	PG 13.5	05-12	6.50	22.00	30.00
5	PG 16	08-14	6.50	24.00	31.00
6	PG 21	11-18	7.00	30.00	36.00
7	PG 29	16-25	8.00	40.00	41.00
8	PG 36	22-32	9.00	50.00	46.00
9	PG 42	28-38	10.00	57.00	52.00
10	PG 48	34-44	10.00	64.00	52.00
11	M 12	02-6.5	5.00	14.00	24.50
12	M 16	03-08	5.00	17.00	27.00
13	M 20	05-12	6.00	22.00	30.00
14	M 25	09-16	7.00	27.00	35.00
15	M 32	12-21	8.00	34.00	38.00
16	M 40	18-28	8.00	43.00	43.00
17	M 50	26-36	9.00	55.00	47.50
18	M 63	36-48	10.00	65.00	58.50
19	M 70	40-53	15.00	74.00	59.00
20	M 75	48-63	15.00	79.00	59.00
21	M 80	53-68	15.00	85.00	62.00
22	M 90	60-75	20.00	95.00	70.00
23	M 100	75-88	20.00	112.00	75.00
24	M 110	85-98	25.00	122.00	80.00



*Dimensions are subject to be changed without any prior notice.

SALIENT FEATURES:

- 1) Clamping range & entry thread length are flexible.
- 2) All kinds of related Accessories are available.
- 3) These glands are available with Special threads like NPT, BSP, BS Cond. etc.
- 4) Protection class could be increased up to IP 68 -10 Bar.
- 5) **Provided with Locknuts.** [Not applicable for NPT Thread]

SPIRAL TYPE



MULTI HOLE SEAL



NPT THREADS



EMC IN DIFFERENT MODELS



IP-68 10 BAR PROTECTION





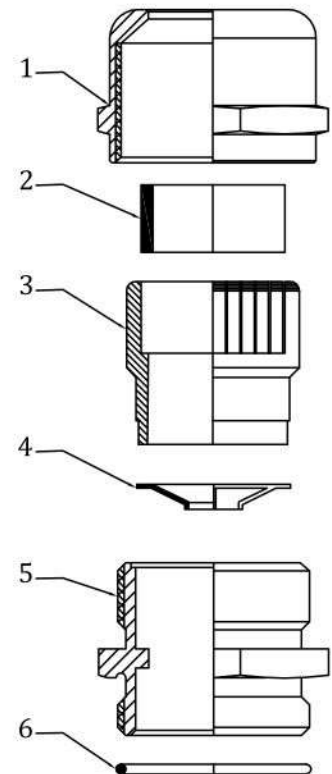
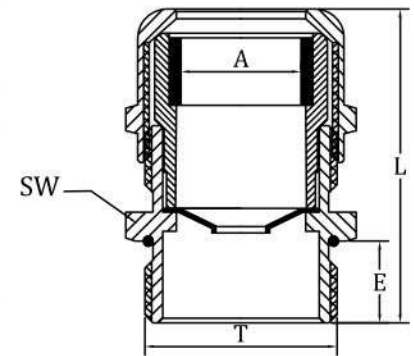
UNIVERSAL CABLE GLANDS WITH IP 68 PROTECTION: EMC SAFE [2nd Gen.]

This product is suitable for use at every place where, protection against dust, liquid, strain, twist & vibration is required. Especially in manufacture of measuring & controlling instruments, machineries & equipments, chemical technology and system manufacturing.

TECHNICAL DATA:

No.	Particular	Material	Protection Class
1	Compression Nut	Brass Nickel Plated	IP 68 - 5 Bar [Tested by ERDA]
2	Sealing Ring	Neoprene Rubber	Temperature range
3	Insert	Polyamide 6	
4	EMC Component	CuSn (Silver plated)	
5	Gland Body	Brass Nickel Plated	
6	Back O Ring	Nitrile Rubber	

Sr. No.	Thread T	Clamping range (mm) A	Shield Diameter (mm)	Entry Thread Length (mm) E	Wrench Size (mm) SW	Max. Ass. Length (mm) L
1	PG 7	03-6.5	2.50	5.00	14.00	23.00
2	PG 9	04-08	3.00	6.00	17.00	28.00
3	PG 11	05-10	4.00	6.00	20.00	29.00
4	PG 13.5	06-12	5.00	6.50	22.00	30.00
5	PG 16	08-14	7.50	6.50	24.00	31.00
6	PG 21	11-18	9.00	7.00	30.00	36.00
7	PG 29	16-25	14.00	8.00	40.00	41.00
8	PG 36	22-32	20.00	9.00	50.00	46.00
9	PG 42	28-38	26.00	10.00	57.00	52.00
10	PG 48	34-44	31.00	10.00	64.00	52.00
11	M 12	03-6.5	2.50	5.00	14.00	24.50
12	M 16	04-08	3.00	5.00	17.00	27.00
13	M 20	06-12	4.50	6.00	22.00	30.00
14	M 25	09-16	7.50	7.00	27.00	35.00
15	M 32	12-21	10.00	8.00	34.00	38.00
16	M 40	18-28	16.00	8.00	43.00	43.00
17	M 50	26-36	24.00	9.00	55.00	47.50
18	M 63	36-48	33.00	10.00	65.00	58.50
19	M 70	40-53	36.00	15.00	74.00	59.00
20	M 75	48-63	44.00	15.00	79.00	59.00
21	M 80	53-68	48.00	15.00	85.00	62.00
22	M 90	60-75	55.00	20.00	95.00	70.00
23	M100	75-88	70.00	20.00	112.00	75.00
24	M110	85-98	80.00	25.00	122.00	80.00



*Dimensions are subject to be changed without any prior notice.

SALIENT FEATURES:

- 1) Clamping range & entry thread length are flexible.
- 2) All kinds of related Accessories are available.
- 3) These glands are available with Special threads like NPT, BSP, BS Cond. etc.
- 4) Protection class could be increased up to IP 68 -10 Bar.
- 5) Locknuts available. [Not applicable for NPT Thread]

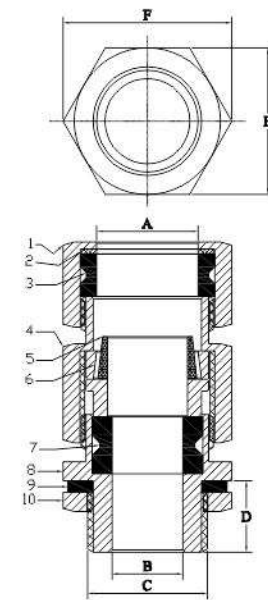




CGW WEATHER-PROOF DOUBLE COMPRESSION CABLE GLANDS:

These indoor and outdoor cable glands are for use with all types of armoured & un-armoured cables, providing environmental seal for inner & outer sheath of cables. The Cable Glands also provides mechanical cable retention and electrical continuity via armour wire termination. A detachable armour cone and anyway universal clamping ring arrangement allows the cable to be easily disconnected from the equipment, for maintenance and change out etc.

TECHNICAL DATA:	
Type:	CGW [Double Compression]
Design Specification:	IEC 60529 [WEATHER-PROOF]
Threads Options:	E.T., NPT, METRIC & PG
Operating Temperature:	-30°C to +100°C
Protection Class:	IP 66 [TESTED BY CIMFR]
Gland Material:	Electro Nickel Plated Brass [general] Material options: Stainless steel, Mild steel & Aluminum Plating options: Chrome, Tin, Zinc
Seal & Washer Material:	Neoprene Rubber
Accessories [optional]:	Shroud, Earth Tag, Blank plug, Adapter / Reducer, Entry Thread Seal
Part Number Details:	
1. Compression Nut	2. Support Ring [PVC]
5. Armour Cone	6. Clamping Ring
9. Flat Washer	10. Lock Nut [Not applicable for NPT Thread]
3. Outer Seal	4. Cover Nut
7. Inner seal	8. Gland Body



Cable Gland Selection Table: [All dimensions except thread sizes are in M.M.]

Note: Special / customized requirement will also be accepted.

GLAND SIZE [Cat. No.]	DIA. "A" [Max. - Min]	DIA. "B" [Max. - Min]	ENTRY "C" [THREADS]			LENGTH "D" [Max.]	FLAT "E" [Max.]	CORNER "F" [Max.]
			E.T.	MM	NPT			
CGW 01SS	13.00 - 8.50	8.50 - 5.00	3 / 4"	16	1/2"	15.00	22.00	25.40
CGW 01S	16.50 - 11.50	11.00 - 7.00	3 / 4"	20	1/2"	15.00	25.00	29.00
CGW 01	18.00 - 13.00	12.00 - 8.00	3 / 4"	20	1/2"	15.00	28.00	32.00
CGW 01A	18.00 - 13.00	12.00 - 8.00	1"	25	3 / 4"	15.00	28.00	32.00
CGW 02	20.00 - 15.00	14.00 - 10.00	1"	25	3 / 4"	15.00	31.50	36.50
CGW 02A	20.00 - 15.00	14.00 - 10.00	3 / 4"	20	1/2"	15.00	31.50	36.50
CGW 03	23.00 - 17.00	17.00 - 13.00	1"	25	3 / 4"	15.00	32.00	37.00
CGW 04	26.00 - 20.00	20.00 - 15.00	1"	25	3 / 4"	15.00	38.00	44.00
CGW 04A	26.00 - 20.00	20.00 - 15.00	1.1 / 4"	32	1"	15.00	38.00	44.00
CGW 05	30.00 - 24.00	24.00 - 17.00	1.1 / 4"	32	1"	15.00	41.00	47.00
CGW 05A	30.00 - 24.00	24.00 - 17.00	1.1 / 2"	40	1.1 / 4"	15.00	41.00	47.00
CGW 06	33.00 - 25.00	27.00 - 20.00	1.1 / 2"	40	1.1 / 4"	15.00	46.00	52.50
CGW 06A	33.00 - 25.00	27.00 - 20.00	1.1 / 4"	32	1"	15.00	46.00	52.50
CGW 07	37.00 - 30.00	30.00 - 23.00	1.1 / 2"	40	1.1 / 4"	15.00	52.00	59.50
CGW 08	41.00 - 34.00	35.00 - 28.00	2"	50	1.1 / 2"	15.00	56.00	64.00
CGW 09	46.00 - 38.00	40.00 - 33.00	2"	50	1.1 / 2"	15.00	59.00	67.00
CGW 010	52.00 - 43.00	44.00 - 37.00	2"	50	1.1 / 2"	20.00	67.50	77.00
CGW 010A	52.00 - 43.00	44.00 - 37.00	2.1 / 2"	63	2"	20.00	67.50	77.00
CGW 011S	56.00 - 46.00	50.00 - 40.00	2.1 / 2"	63	2"	20.00	74.00	85.50
CGW 011	60.00 - 50.00	54.00 - 43.00	2.1 / 2"	63	2"	20.00	80.00	92.00
CGW 012	67.00 - 58.00	60.00 - 49.00	3"	75	2.1 / 2"	20.00	85.00	98.00
CGW 013A	72.00 - 63.00	66.00 - 60.00	3"	75	2.1 / 2"	20.00	97.00	112.00
CGW 013	78.00 - 68.00	72.00 - 63.00	3.1 / 4"	80	3"	20.00	99.00	114.00
CGW 014	84.00 - 72.00	78.00 - 70.00	3.1 / 2"	90	3"	20.00	108.00	125.00
CGW 015	94.00 - 84.00	88.00 - 76.00	4"	100	3.1 / 2"	20.00	117.00	135.00
CGW 016	105.00 - 94.00	98.00 - 88.00	4.1 / 2"	110	4"	20.00	130.00	150.00



IP - 66
CIMFR/TC/P/1558

AVAILABLE IN
S.S. & ALUMINIUM
ON REQUEST

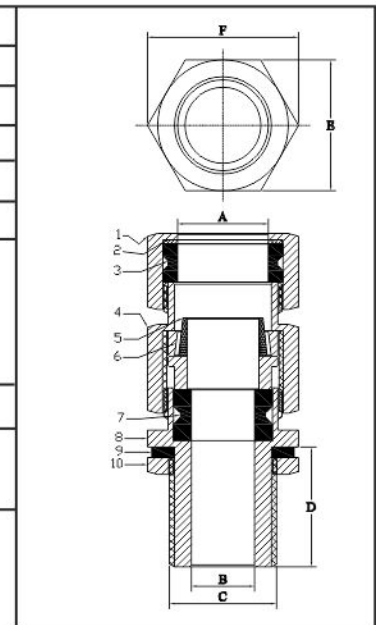
*Dimensions are subject to be changed without any prior notice.



CGF FLAME-PROOF / WEATHER-PROOF DOUBLE COMPRESSION CABLE GLANDS: [LONG THREADS]

These indoor and outdoor cable glands are for use with all types of armoured & un-armoured cables, providing environmental seal for inner & outer sheath of cables. The Cable Glands also provides mechanical cable retention and electrical continuity via armour wire termination. A detachable armour cone and anyway universal clamping ring arrangement allows the cable to be easily disconnected from the equipment, for maintenance and change out etc.

TECHNICAL DATA:	
Type:	CGF [Double Compression]
Design Specification:	IS / IEC 60079-1: 2014 [FLAME-PROOF IIA & IIB]
Threads:	E.T., NPT, METRIC & PG
Operating Temperature:	-30°C to + 100°C
Protection Class:	IP 66 [IS/IEC 60529:2001 (Reaffirmed 2014)] TESTED BY CIMFR
Gland Material:	Electro Nickel Plated Brass [general] Material options: Stainless steel, Mild steel & Aluminum Plating options: Chrome, Tin, Zinc
Seal Material:	Neoprene Rubber
Accessories [optional]:	Shroud, Earth Tag, Blank plugs Adaptor / Reducer, Entry Thread Seal
Part Number Details:	
1. Compression Nut 2. Support Ring [PVC] 3. Outer Seal 4. Cover Nut 5. Armour Cone 6. Clamping Ring 7. Inner seal 8. Gland Body 9. Flat Washer 10. Lock Nut [Not applicable for NPT THREADS]	



Cable Gland Selection Table:

GLAND SIZE [Cat. No.]	DIA. "A" [Max. - Min.]	DIA. "B" [Max. - Min.]	ENTRY "C" [THREADS]			LENGTH "D" [Max.]	FLAT "E" [Max.]	CORNER "F" [Max.]
			E.T.	MM	NPT			
CGF 01SS	13.00 - 8.50	8.50 - 5.00	3 / 4"	16	1/2"	25.00	22.00	25.40
CGF 01S	16.50 - 11.50	11.00 - 7.00	3 / 4"	20	1/2"	25.00	25.00	29.00
CGF 01	18.00 - 13.00	12.00 - 8.00	3 / 4"	20	1/2"	25.00	28.00	32.00
CGF 01A	18.00 - 13.00	12.00 - 8.00	1"	25	3 / 4"	25.00	28.00	32.00
CGF 02	20.00 - 15.00	14.00 - 10.00	1"	25	3 / 4"	25.00	31.50	36.50
CGF 02A	20.00 - 15.00	14.00 - 10.00	3 / 4"	20	1/2"	25.00	31.50	36.50
CGF 03	23.00 - 17.00	17.00 - 13.00	1"	25	3 / 4"	25.00	32.00	37.00
CGF 04	26.00 - 20.00	20.00 - 15.00	1"	25	3 / 4"	25.00	38.00	44.00
CGF 04A	26.00 - 20.00	20.00 - 15.00	1.1 / 4"	32	1"	25.00	38.00	44.00
CGF 05	30.00 - 24.00	24.00 - 17.00	1.1 / 4"	32	1"	25.00	41.00	47.00
CGF 05A	30.00 - 24.00	24.00 - 17.00	1.1 / 2"	40	1.1 / 4"	25.00	41.00	47.00
CGF 06	33.00 - 25.00	27.00 - 20.00	1.1 / 2"	40	1.1 / 4"	25.00	46.00	52.50
CGF 06A	33.00 - 25.00	27.00 - 20.00	1.1 / 4"	32	1"	25.00	46.00	52.50
CGF 07	37.00 - 30.00	30.00 - 23.00	1.1 / 2"	40	1.1 / 4"	25.00	52.00	59.50
CGF 08	41.00 - 34.00	35.00 - 28.00	2"	50	1.1 / 2"	25.00	56.00	64.00
CGF 09	46.00 - 38.00	40.00 - 33.00	2"	50	1.1 / 2"	25.00	59.00	67.00
CGF 010	52.00 - 43.00	44.00 - 37.00	2"	50	1.1 / 2"	25.00	67.50	77.00
CGF 010A	52.00 - 43.00	44.00 - 37.00	2.1 / 2"	63	2"	25.00	67.50	77.00
CGF 011S	56.00 - 46.00	50.00 - 40.00	2.1 / 2"	63	2"	25.00	74.00	85.50
CGF 011	60.00 - 50.00	54.00 - 43.00	2.1 / 2"	63	2"	25.00	80.00	92.00
CGF 012	67.00 - 58.00	60.00 - 49.00	3"	75	2.1 / 2"	25.00	85.00	98.00
CGF 013A	72.00 - 63.00	66.00 - 60.00	3"	75	2.1 / 2"	25.00	97.00	112.00
CGF 013	78.00 - 68.00	72.00 - 63.00	3.1 / 4"	80	3"	25.00	99.00	114.00
CGF 014	84.00 - 72.00	78.00 - 70.00	3.1 / 2"	90	3"	25.00	108.00	125.00
CGF 015	94.00 - 84.00	88.00 - 76.00	4"	100	3.1 / 2"	25.00	117.00	135.00
CGF 016	105.00 - 94.00	98.00 - 88.00	4.1 / 2"	110	4"	25.00	130.00	150.00



CIMFR Approval No.
IN/CIMFR/TR21/H319
IP-66

PESO Approval No.
A/P/HQ/GJ/104/6027
[P534002/1]

AVAILABLE IN
S.S. & ALUMINIUM
ON REQUEST

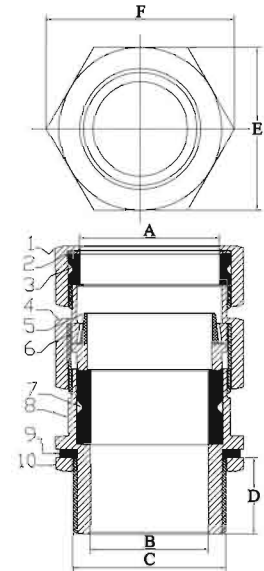
Note: * NPT Thread length as per standard.
* Special / customized requirement will also be accepted.
* Dimensions are subject to be changed without any prior notice.



CGF IIC FLAME-PROOF / WEATHER-PROOF [IIC] DOUBLE COMPRESSION CABLE GLANDS:

These indoor and outdoor cable glands are for use with all types of armoured & un-armoured cables, providing environmental seal for inner & outer sheath of cables. The Cable Glands also provides mechanical cable retention and electrical continuity via armour wire termination. A detachable armour cone and anyway universal clamping ring arrangement allows the cable to be easily disconnected from the equipment, for maintenance and change out etc.

TECHNICAL DATA:	
Type:	CGF IIC [Double Compression]
Design Specification:	IS / IEC 60079-1: 2014, [FLAME-PROOF GROUP IIC]
Threads:	E.T., NPT, METRIC & PG
Operating Temperature:	-30°C to + 100°C
Protection Class:	IP 66 [IS/IEC 60529:2001 (Reaffirmed 2014)] TESTED BY CIMFR
Gland Material:	Electro Nickel Plated Brass [general] Material options: Stainless steel, Mild steel & Aluminum Plating options: Chrome, Tin, Zinc
Seal Material:	Neoprene Rubber
Accessories [optional]:	Shroud, Earth Tag, Blank plugs Adaptor Reducer, Entry Thread Seal
Part Number Details:	
1. Compression Nut 2. Support Ring [PVC] 3. Outer Seal 4. Cover Nut 5. Armour Cone 6. Clamping Ring 7. Inner seal 8. Gland Body 9. Flat Washer 10. Lock Nut [Not applicable for NPT THREADS]	



Cable Gland Selection Table: [All dimensions except thread sizes are in M.M.]

Note: Special / customized requirement will also be accepted.

GLAND SIZE [Cat. No.]	DIA. "A" [Max. - Min.]	DIA. "B" [Max. - Min.]	ENTRY "C" [THREADS]			LENGTH "D" [Max.]	FLAT "E" [Max.]	CORNER "F" [Max.]
			E.T.	MM	NPT			
CGF IIC 01SS	13.00 - 8.50	8.50 - 6.50	3 / 4"	16	1/2"	25.00	22.00	25.40
CGF IIC 01S	16.50 - 11.50	11.00 - 8.00	3 / 4"	20	1/2"	25.00	25.00	29.00
CGF IIC 01	18.00 - 13.00	12.00 - 9.00	3 / 4"	20	1/2"	25.00	28.00	32.00
CGF IIC 01A	18.00 - 13.00	12.00 - 9.00	1"	25	3 / 4"	25.00	28.00	32.00
CGF IIC 02	20.00 - 15.00	14.00 - 11.00	1"	25	3 / 4"	25.00	31.50	36.50
CGF IIC 02A	20.00 - 15.00	14.00 - 11.00	3 / 4"	20	1/2"	25.00	31.50	36.50
CGF IIC 03	23.00 - 17.00	17.00 - 14.00	1"	25	3 / 4"	25.00	32.00	37.00
CGF IIC 04	26.00 - 20.00	20.00 - 15.00	1"	25	3 / 4"	25.00	38.00	44.00
CGF IIC 04A	26.00 - 20.00	20.00 - 15.00	1.1 / 4"	32	1"	25.00	38.00	44.00
CGF IIC 05	30.00 - 24.00	24.00 - 19.00	1.1 / 4"	32	1"	25.00	41.00	47.00
CGF IIC 05A	30.00 - 24.00	24.00 - 19.00	1.1 / 2"	40	1.1 / 4"	25.00	41.00	47.00
CGF IIC 06	33.00 - 25.00	27.00 - 23.00	1.1 / 2"	40	1.1 / 4"	25.00	46.00	52.50
CGF IIC 06A	33.00 - 25.00	27.00 - 23.00	1.1 / 4"	32	1"	25.00	46.00	52.50
CGF IIC 07	37.00 - 30.00	30.00 - 25.00	1.1 / 2"	40	1.1 / 4"	25.00	52.00	59.50
CGF IIC 08	41.00 - 34.00	35.00 - 30.00	2"	50	1.1 / 2"	25.00	56.00	64.00
CGF IIC 09	46.00 - 38.00	40.00 - 33.00	2"	50	1.1 / 2"	25.00	59.00	67.00
CGF IIC 010	52.00 - 43.00	44.00 - 38.00	2"	50	1.1 / 2"	25.00	67.50	77.00
CGF IIC 010A	52.00 - 43.00	44.00 - 38.00	2.1 / 2"	63	2"	25.00	67.50	77.00
CGF IIC 011S	56.00 - 46.00	50.00 - 45.00	2.1 / 2"	63	2"	25.00	74.00	85.50
CGF IIC 011	60.00 - 50.00	54.00 - 47.00	2.1 / 2"	63	2"	25.00	80.00	92.00
CGF IIC 012	67.00 - 58.00	60.00 - 53.00	3"	75	2.1 / 2"	25.00	85.00	98.00
CGF IIC 013A	72.00 - 63.00	66.00 - 60.00	3"	75	2.1 / 2"	25.00	97.00	112.00
CGF IIC 013	78.00 - 68.00	72.00 - 64.00	3.1 / 4"	80	3"	25.00	99.00	114.00
CGF IIC 014	84.00 - 72.00	78.00 - 70.00	3.1 / 2"	90	3"	25.00	108.00	125.00
CGF IIC 015	94.00 - 84.00	88.00 - 78.00	4"	100	3.1 / 2"	25.00	117.00	135.00
CGF IIC 016	105.00 - 94.00	98.00 - 88.00	4.1 / 2"	110	4"	25.00	130.00	150.00



CIMFR Approval No.
IN/CIMFR/TR21/H320
IP-66

PESO Approval No.
A/P/HQ/GJ/104/5992
[P529100/1]



AVAILABLE IN
S.S. & ALUMINIUM
ON REQUEST

*Dimensions are subject to be changed without any prior notice.



GLAND RELATED ACCESSORIES:



EARTHING ACCESSORIES



BLANK PLUGS
CIMFR Approval No.
IN/CIMFR/TR21/H321
IP-66
PESO Approval No.
A/P/HQ/GJ/104/6029
[P534004/1]

**ADAPTERS, CONVERTER,
ENLARGER & REDUCER**
CIMFR Approval No.
IN/CIMFR/TR21/H322
IP-66
PESO Approval No.
A/P/HQ/GJ/104/6028 [P534003/1]

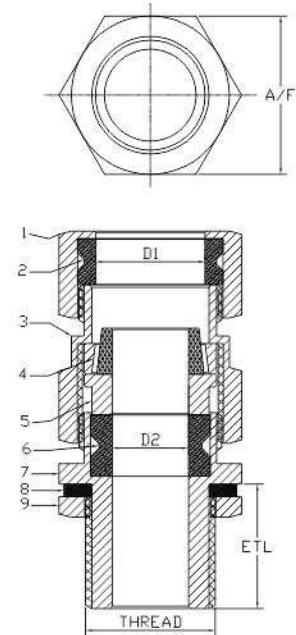
- **LARGEST RANGE OF ADAPTER, CONVERTER, ENLARGER & REDUCER.**
- **Blank plugs are certified by CIMFR for gas group IIC.**
- **Adapters, Converter, Enlarger & Reducer are certified by CIMFR for gas group IIC.**
- Locknuts are available in Metric, E.T., P.G. & NPT treads.
- Earth tags are available in Brass S.S. & Aluminium.
- Shrouds available in normal & LSF grade.



CGS DOUBLE COMPRESSION CABLE GLANDS:

These indoor and outdoor cable glands are for use with all types of armoured & un-armoured cables, providing environmental seal for inner & outer sheath of cables. The Cable Glands also provides mechanical cable retention and electrical continuity via armour wire termination. A detachable armour cone and anyway universal clamping ring arrangement allows the cable to be easily disconnected from the equipment, for maintenance and change out etc.

TECHNICAL DATA:	
Type:	DOUBLE COMPRESSION
Design Specification:	IEC 60529 [WEATHER-PROOF]
Threads:	E.T., NPT & METRIC
Operating Temperature:	-30°C to + 100°C
Protection Class:	IP 66 (TESTED BY NATIONAL TEST HOUSE)
Gland Material:	Electro Nickel Plated Brass (general) Material options: Stainless steel, Mild steel & Aluminum Plating options: Chrome, Tin, Zinc
Seal Material:	Natural Rubber
Accessories (optional):	Shroud, Earth Tag, Blank plugs, Adapter / Reducer, Entry Thread Seal
Part Number Details:	
1. Compression Nut 2. Outer Seal 3. Cover Nut 4. Clamping Ring 5. Armour Cone 6. Inner seal 7. Gland Body 8. Flat Washer 9. Lock Nut [Not applicable for NPT Thread]	



Cable Gland Selection Table: (All dimensions except thread sizes are in M.M.)

Note: *Special / customized requirement will also be accepted.*

GLAND SIZE	D1	D2	THREAD	ETL	A/F
3/8" (10 mm)	9.50 - 6.00	8.00 - 5.00	1/2" ET	25.00	17.75
1/2" (12 mm)	15.00 - 9.50	12.00 - 08.00	5/8" ET	25.00	22.00
5/8" (16 mm)	16.00 - 10.50	12.00 - 08.00	3/4" ET	25.00	23.00
3/4" (19 mm)	17.50 - 10.50	14.00 - 09.50	3/4" ET	25.00	24.00
7/8" (22 mm)	19.00 - 11.00	14.00 - 09.50	3/4" ET	25.00	25.50
1" (25 mm)	23.00 - 17.00	18.50 - 14.50	1" ET	25.00	31.50
1.1/8" (28 mm)	26.00 - 21.00	21.50 - 17.00	1.1/8" ET	25.00	34.50
1.1/4" (32 mm)	31.00 - 24.50	27.00 - 20.00	1.1/4" ET	25.00	41.00
1.3/8" (35 mm)	35.00 - 28.00	29.00 - 21.00	1.3/8" ET	25.00	45.50
1.1/2" (38 mm)	38.00 - 34.00	32.00 - 26.50	1.1/2" ET	25.00	47.50
1.3/4" (45 mm)	46.00 - 40.00	38.00 - 30.00	1.3/4" ET	25.00	56.50
2" (50 mm)	49.00 - 42.00	44.00 - 35.00	2" ET	25.00	61.00
2.1/4" (57 mm)	57.00 - 48.00	48.00 - 40.00	2.1/4" ET	25.00	67.00
2.1/2" (63 mm)	63.00 - 53.00	56.00 - 44.00	2.1/2" ET	25.00	74.50
2.3/4" (70 mm)	68.00 - 58.00	63.00 - 54.00	2.3/4" ET	25.00	82.50
3" (75 mm)	76.00 - 70.00	68.00 - 60.00	3" ET	25.00	92.00
3.1/4" (82 mm)	78.00 - 72.00	70.00 - 64.00	3.1/4" ET	25.00	93.00
3.1/2" (88 mm)	85.00 - 76.00	77.00 - 67.00	3.1/2" ET	25.00	102.00
4" (100 mm)	96.00 - 87.00	86.00 - 75.00	4" ET	25.00	115.00



BS:6121-1-2005
NTH[WR]EL[C]/2019/
000483A
IP-66

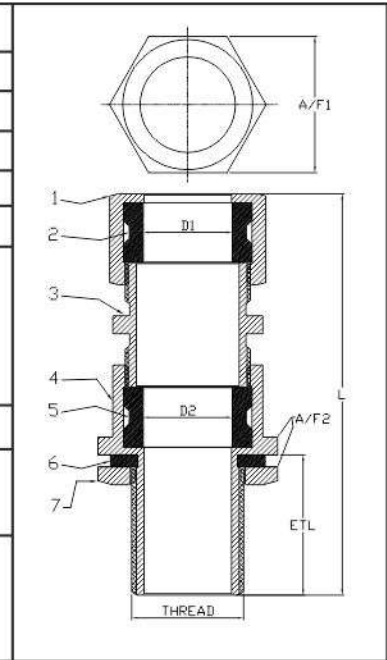
*Dimensions are subject to be changed without any prior notice.



DOUBLE COMPRESSION CABLE GLANDS [FOR UN-ARMoured CABLES]:

These indoor and outdoor cable glands are especially designed for un-armoured & flexible cables, providing 2 nos. of environmental seal for outer sheath of cables having universal clamping range, allows the cable to be easily disconnected from the equipment, for maintenance and change out etc. **THIS IS THE NEW INVENTION OF ENTIRE RANGE, WE HAVE REGISTERED THIS DESIGN.**

TECHNICAL DATA:	
Type:	<i>Double Compression [for U/A. & flexible cables]</i>
Design Specification:	IS / IEC 60079 & IEC 60529 [FLP & W/P.]
Threads:	E.T., NPT & METRIC
Operating Temperature:	-30°C to + 100°C
Protection Class:	IP 66 (TESTED BY NATIONAL TEST HOUSE)
Gland Material:	Electro Nickel Plated Brass (General) <i>Material options:</i> Stainless steel, Mild steel & Aluminum <i>Plating options:</i> Chrome, Tin, Zinc
Seal Material:	Nitrile Rubber
Accessories (optional):	Shroud, Earth Tag, Blank plugs Adapter / Reducer, Entry Thread Seal
Part Number Details:	
1. Compression Nut 2. Outer Seal-1 3. Gland Nut 4. Gland Body 5. Outer Seal-2 6. Flat Washer 7. Lock Nut [Not applicable for NPT Thread]	



Cable Gland Selection Table: (All dimensions except thread sizes are in M.M.)

Note: Special / customized requirement will also be accepted.

GLAND SIZE (Cat. No.)	D1 & D2 Crimping Range	THREADS	ETL	A/F 1	A/F 2
3/8" (10 mm) UA	09 - 06	5/8" ET	25.00	18.00	20.00
1/2" (12 mm) UA	11 - 07	5/8" ET	25.00	18.00	20.00
5/8" (16 mm) UA	12 - 08	3/4" ET	25.00	20.00	23.00
3/4" (19 mm) UA	14 - 10	3/4" ET	25.00	23.00	23.00
7/8" (22 mm) UA	17 - 13	1" ET	25.00	24.00	31.50
1" (25 mm) UA	18 - 14	1" ET	25.00	25.50	31.50
1.1/8" (28 mm) UA	21 - 16	1.1/8" ET	25.00	31.00	33.00
1.1/4" (32 mm) UA	27 - 22	1.1/4" ET	25.00	36.00	39.00
1.3/8" (35 mm) UA	30 - 25	1.3/8" ET	25.00	39.50	42.00
1.1/2" (38 mm) UA	32 - 27	1.1/2" ET	25.00	42.50	46.00
1.3/4" (45 mm) UA	38 - 33	1.3/4" ET	25.00	50.00	54.00
2" (50 mm) UA	44 - 39	2" ET	25.00	56.50	59.00
2.1/4" (57 mm) UA	48 - 43	2.1/4" ET	25.00	61.00	66.00
2.1/2" (63 mm) UA	56 - 50	2.1/2" ET	25.00	67.00	74.50
2.3/4" (70 mm) UA	63 - 58	2.3/4" ET	25.00	74.50	82.50
3" (75 mm) UA	68 - 63	3" ET	25.00	82.50	92.50
3.1/4" (82 mm) UA	70 - 65	3.1/4" ET	25.00	84.00	94.00
3.1/2" (88 mm) UA	77 - 72	3.1/2" ET	25.00	92.50	102.00
4" (100 mm) UA	85 - 80	4" ET	25.00	102.00	115.00

*Dimensions are subject to be changed without any prior notice.



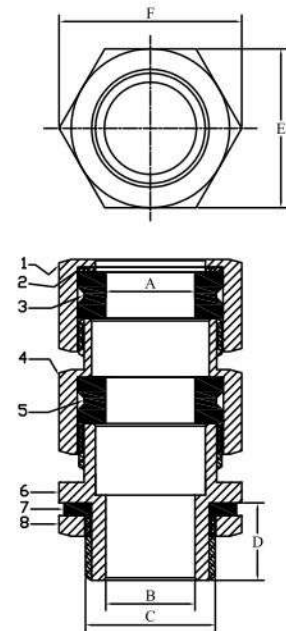
BS:6121-1-1989
NTH[WR]EL[C]/2019/
000483B
IP-66



CGW WEATHER-PROOF DOUBLE COMPRESSION CABLE GLANDS [FOR UN-ARMOURED CABLES]

These indoor and outdoor cable glands are especially designed for un-armoured & flexible cables, providing 2 nos. of environmental seal for outer sheath of cables having universal clamping range, allows the cable to be easily disconnected from the equipment, for maintenance and change out etc.

TECHNICAL DATA:	
Type:	CGW (Double Compression)
Design Specification:	IEC 60529 [WEATHER-PROOF]
Threads Options:	E.T., NPT, METRIC & PG
Operating Temperature:	-30°C to +100°C
Protection Class:	IP 66
Gland Material:	Electro Nickel Plated Brass (general) <i>Material options:</i> Stainless steel, Mild steel & Aluminum <i>Plating options:</i> Chrome, Tin, Zinc
Seal & Washer Material:	Neoprene Rubber
Accessories (optional):	Shroud, Earth Tag, Blank plug, Adapter / Reducer, Entry Thread Seal
Part Number Details:	
1. Compression Nut	2. Support Ring (PVC)
4. Cover Nut	5. Outer Seal
7. Flat Washer	8. Lock Nut [Not applicable for NPT Thread]
3. Outer Seal	6. Gland Body



Cable Gland Selection Table: (All dimensions except thread sizes are in M.M.)

Note: Special / customized requirement will also be accepted.

GLAND SIZE (Cat. No.)	DIA. "A" (Max.)	DIA. "B" (Max.)	ENTRY "C" (Threads)			LENGTH "D" (Max.)	FLAT "E" (Max.)	CORNER "F" (Max.)
			E.T.	MM	NPT			
CGW 01SS (UN)	13.00	13.00	3 / 4"	16	1 / 2"	15.00	22.00	25.40
CGW 01S (UN)	14.50	14.50	3 / 4"	20	1 / 2"	15.00	25.00	29.00
CGW 01A (UN)	18.00	18.00	1"	25	3 / 4"	15.00	28.00	32.00
CGW 02 (UN)	20.00	20.00	1"	25	3 / 4"	15.00	31.50	36.50
CGW 03SP (UN)	23.00	23.00	M28	28	1"	15.00	32.00	37.00
CGW 04A (UN)	26.00	26.00	1.1 / 4"	32	1"	15.00	38.00	44.00
CGW 05A (UN)	30.00	30.00	1.1 / 2"	40	1.1 / 4"	15.00	41.00	47.00
CGW 06SP (UN)	33.00	33.00	M40	40	1.1 / 4"	15.00	46.00	52.50
CGW 07SP (UN)	36.00	36.00	M42	42	1.1 / 4"	15.00	52.00	59.50
CGW 08 (UN)	41.00	41.00	2"	50	1.1 / 2"	15.00	56.00	64.00
CGW 09 (UN)	44.00	44.00	2"	50	1.1 / 2"	15.00	59.00	67.00
CGW 010A (UN)	52.00	52.00	2"	63	2"	20.00	67.50	77.00
CGW 011 SP (UN)	60.00	60.00	M70	70	2.1 / 2"	20.00	80.00	92.00
CGW 012 (UN)	66.00	66.00	3"	75	2.1 / 2"	20.00	85.00	98.00
CGW 013 (UN)	72.00	72.00	3.1 / 4"	80	3"	20.00	90.00	103.00
CGW 014 (UN)	80.00	80.00	3.1 / 2"	90	3"	20.00	108.00	125.00
CGW 015 (UN)	90.00	90.00	4"	100	3.1 / 2"	20.00	117.00	135.00



**AVAILABLE IN
S.S. & ALUMINIUM
ON REQUEST**

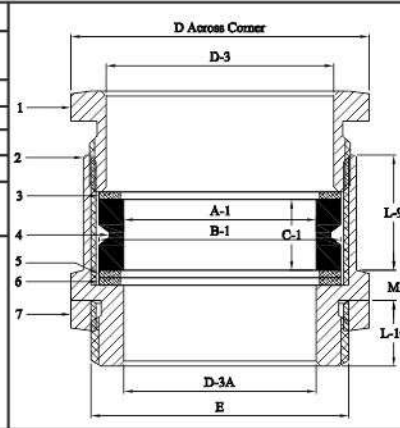
*Dimensions are subject to be changed without any prior notice.



SIBG (S.C. - HEAVY DUTY) CABLE GLANDS:

These indoor and outdoor cable glands are for use with all types of Armoured & un-armoured cables, providing environmental seal for outer Sheath of cables. The Cable Glands also provides mechanical cable retention and electrical continuity via armour wire termination.

TECHNICAL DATA:	
Type:	SINGLE COMPRESSION (HEAVY DUTY)
Design Specification:	IP 66 (IS 12063:1987 / IEC 60529:1989)
Threads:	E.T., NPT, METRIC & PG
Gland Material:	Electro Nickel Plated Brass (general)
Seal Material:	NEOPRENE RUBBER
Accessories (optional):	Shroud, Earth Tag, Blank plugs, Adapter / Reducer, Entry Thread Seal
Part Number Details:	Protection Class: IP - 66
1. Compression Nut	
2. Gland Body	
3. Support Washer (MS)	
4. Rubber Seal	
5. Support Washer (MS)	
6. Support Washer (MS)	
7. Lock Nut	



Cable Gland Selection Table: (All dimensions except thread size are in M.M.)

Note: Special / customized requirement will also be accepted.

Lock is not applicable for NPT threaded glands.

GLAND REF. (Cat. No.)	E E.T. Threads	D-3 Max.	D-3A Max.	D Max.	A/F Max.	L-9 Max.	L-10 Max.	M Max.	RUBBER REF.	A-1	B-1	C-1	
SIBG-1216	5/8"	16	12	25.50	22	15	9	3	R-1212	12	18	8	
SIBG-1616	5/8"	19	12	29.50	25.50	15	9.50	3.50	R-1611	11	20.50	9	
SIBG-1619	3/4"	19	15	29.50	25.50	15	9.50	3.50	R-1613	13	20.50	9	
									R-1615				15
SIBG-2119	3/4"	24	15	36.50	31.50	18	9.50	3.50	R-2116	16	26	11	
SIBG-2125	1"	24	21	36.50	31.50	18	9.50	3.50	R-2118	18	26	11	
									R-2120				20
SIBG-2925	1"	33	21	47	41.00	21	10	4	R-2921	21	35	12	
SIBG-2932	1.1/4"	33	27	47	41.00	21	10	4	R-2923	23	35	12	
									R-2925				25
									R-2927				27
SIBG-2938	1.1/2"	33	32	47	41.00	21	10	4	R-2929	29	35	12	
									R-2927				27
									R-2929				29
SIBG-3632	1.1/4"	41	26	59	51	22.50	11	4.50	R-3631	31	45	14	
									R-3633				33
									R-3635				35
									R-3637				37
SIBG-4238	1.1/2"	47	32	71	61.50	26	12	5.50	R-4236	36	52	17	
									R-4238				38
									R-4240				40
									R-4242				42
SIBG-4251	2"	47	44.50	71	61.50	26	12	5.50	R-4240	40	52	17	
									R-4242				42
									R-5444				44
									R-5446				46
SIBG-5451	2"	56	44.50	80	69	27	12	6	R-5448	48	59	18	
									R-5450				50
									R-5448				48
									R-5450				50
SIBG-5463	2.1/2"	56	55	80	69	27	12	6	R-6053	53	59	18	
									R-6055				55
									R-6058				58
									R-6060				60
									R-6662				62
SIBG-6063	2.1/2"	64	55	92	80.00	31	12	6.50	R-6664	64	68	18	
									R-6668				68
									R-6662				62
									R-6664				64
									R-6668				68
SIBG-6675	3"	68	66	100	87.00	33	13	7	R-7870	70	72	18	
									R-7874				74
									R-7877				77
									R-7874				74
SIBG-7882	3.1/4"	82	72	116	100.50	33	14	8	R-8484	84	88	20	
									R-8484				84
									R-8484				84
									R-8484				84
SIBG-8490	3.1/2"	91	81	124	107.50	30	19	8	R-8484	84	97	20	
SIBG-9210	4"	98	91	135	117	32	20	8	R-9292	92	105	20	
SIBG-1011	4.1/4"	107	100	146	126.50	32	25	9	R-1100	100	114	20	
SIBG-1525	5"	118	113	164	142	32	25	10	R-1115	115	127	20	

*Dimensions are subject to be changed without any prior notice.



SINGLE COMPRESSION CABLE GLANDS:

These indoor and outdoor cable glands are for use with all types of armoured & un-armoured cables, providing environmental seal for outer sheath of cables. The Cable Glands also provides mechanical cable retention and electrical continuity via armour wire termination.

TECHNICAL DATA:

Type:	<i>SINGLE COMPRESSION</i>	
Design Specification:	IS 12943 : 1990 (IP - 55)	
Threads:	E.T., NPT & METRIC	
Gland Material:	Electro Nickel Plated Brass (general)	
Seal Material:	Natural Rubber	
Accessories (optional):	Shroud, Earth Tag, Blank plugs, Adapter / Reducer, Entry Thread Seal	
Part Number Details:		
<ol style="list-style-type: none"> 1. Compression Nut 2. Gland Body 3. Support Washers (MS) 4. RUBBER Seal 5. Lock Nut 		



Cable Gland Selection Table: (All dimensions except thread sizes are in M.M.)

Note: Special / customized requirement will also be accepted. Lock is not applicable for NPT threaded glands.

GLAND SIZE (Cat. No.)	D 1	D 2	D 3	ENTRY "A" (THREAD)	LENGTH "B"	A/F.
3/8" (10 mm)	12.70	10.40	12.70	5/8" ET	6.50	18.00
1/2" (12 mm)	15.40	12.50	12.70	5/8" ET	7.00	19.80
5/8" (16 mm)	15.40	12.50	15.60	3/4" ET	7.00	19.80
3/4" (19 mm)	17.80	14.50	15.60	3/4" ET	7.50	22.20
7/8" (22 mm)	20.70	18.00	15.60	3/4" ET	7.50	24.50
1" (25 mm)	23.60	19.00	21.60	1" ET	7.50	28.00
1.1/8"(28 mm)	28.00	24.00	24.60	1.1/8" ET	8.00	33.00
1.1/4"(32 mm)	31.30	27.50	27.70	1.1/4" ET	8.50	36.00
1.3/8" (35 mm)	35.80	31.50	29.70	1.3/8" ET	9.00	40.50
1.1/2" (38 mm)	38.30	33.00	33.50	1.1/2" ET	9.50	44.50
1.3/4" (45 mm)	44.30	39.00	40.30	1.3/4" ET	10.00	50.00
2" (50 mm)	51.80	46.50	45.50	2" ET	10.00	57.00
2.1/4" (57 mm)	57.80	49.50	52.30	2.1/4" ET	11.00	63.00
2.1/2" (63 mm)	62.70	55.50	58.40	2.1/2" ET	12.00	70.00
2.3/4" (70 mm)	69.00	61.00	63.00	2.3/4" ET	12.00	75.00
3" (75 mm)	75.70	65.50	70.50	3" ET	12.00	83.00
3.1/4" (82 mm)	82.00	74.00	76.50	3.1/4"ET	12.00	89.00
3.1/2" (88 mm)	85.00	78.00	83.00	3.1/2" ET	12.00	95.00
4" (100 mm)	100.00	90.00	92.00	4" ET	12.00	108.00

*Dimensions are subject to be changed without any prior notice.

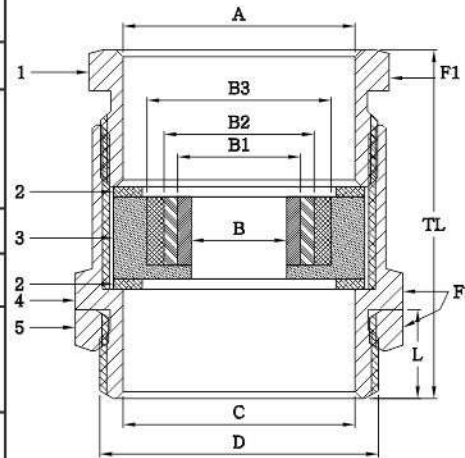




S.C. CABLE GLANDS WITH MULTI LAYERED RUBBER SEAL:

These indoor and outdoor cable glands are for use with un-armoured & flexible cables. The especiality of this product is: **Rubber seal with removable layers ideal for different O.D. of cables. This model is also available for flat cables by replacing rubber seals.**

TECHNICAL DATA:	
Type:	S.C. GLANDS
Threads:	METRIC & PG
Gland Material:	Electro Nickel Plated Brass (general) Material options: Stainless steel, Mild steel & Aluminum Plating options: Chrome, Tin, Zinc
Seal Material:	Neoprene Rubber
Washer Material:	Mild Steel / Brass
Protection Class:	IP - 54
Part Number Details: 1. Gland Nut 2. Washer 3. Layer Rubber 4. Gland Body 5. Lock nut	



Cable Gland Selection Table: (All dimensions except PG thread sizes are in M.M.)

Note: Special / customized requirement will also be accepted.

Lock is not applicable for NPT threaded glands.

SIZE	"A"	SIZE				C	"D" THREADS	TL	L	F1		F2	
		B	B1	B2	B3					A/F	A/C	A/F	A/C
PG 7	10.00	7.00	----	----	----	10.00	PG 7	21.00	5.00	13.00	14.50	14.00	15.25
PG 9	12.50	5.25	9.00	11.50	----	12.50	PG 9	23.00	6.00	16.00	17.50	18.00	20.00
PG 11	15.00	7.50	10.50	12.50	----	15.50	PG 11	24.00	6.00	18.00	20.00	20.00	22.00
PG13.5	17.00	7.00	9.00	11.00	13.50	17.00	PG13.5	26.00	6.50	20.00	22.00	22.00	24.00
PG 16	18.50	7.75	11.00	13.50	16.50	18.50	PG 16	27.00	6.50	22.00	24.00	24.00	26.50
PG 21	24.00	10.00	13.50	16.00	20.50	24.00	PG 21	29.50	7.00	28.00	30.50	30.00	33.00
PG 29	32.00	18.00	21.50	25.50	28.50	32.00	PG 29	33.00	8.00	37.00	40.00	40.00	44.00
PG 36	42.00	23.50	29.00	32.00	36.00	42.00	PG 36	38.50	9.00	47.00	52.50	50.00	55.00
PG 42	49.00	30.00	33.00	36.00	40.50	49.00	PG 42	42.00	9.50	54.00	60.50	57.00	64.00
PG 48	53.50	35.00	39.50	43.50	48.00	53.50	PG 48	43.00	9.50	60.00	65.00	64.00	69.00
M 12	10.00	7.00	----	----	----	8.00	M12 x 1.5	21.00	5.00	13.00	14.50	14.00	15.25
M 16	12.50	5.25	9.00	11.50	----	12.50	M16 x 1.5	23.00	6.00	16.00	17.50	18.00	20.00
M 20	17.00	7.00	9.00	11.00	13.50	16.50	M20 x 1.5	26.00	6.50	20.00	22.00	22.00	24.00
M 25	18.50	7.75	11.00	13.50	16.50	18.80	M25 x 1.5	27.00	6.50	22.00	24.00	27.00	29.50
M 32	24.00	10.00	13.50	16.00	20.50	24.50	M32 x 1.5	29.50	7.00	30.00	33.00	34.00	37.00
M 40	32.00	18.00	21.50	25.50	28.50	32.00	M40 x 1.5	33.00	8.00	37.00	40.00	42.00	46.00
M 50	42.00	23.50	29.00	32.00	36.00	42.00	M50 x 1.5	38.50	9.00	47.00	52.50	51.00	56.50
M 63	50.00	35.00	39.50	43.50	48.00	50.00	M63 x 1.5	44.00	10.00	60.00	66.00	65.00	72.00

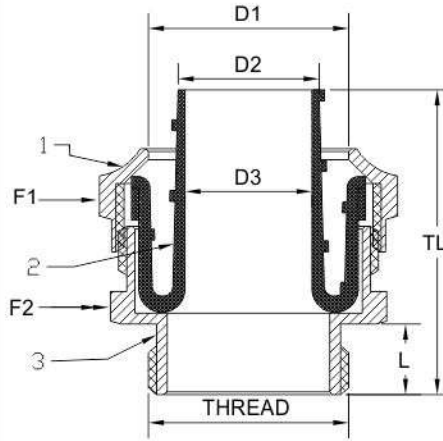
*Dimensions are subject to be changed without any prior notice.



CONDUIT GLANDS / SCREW COUPLINGS:

We offer multiple designs & models of CONDUIT CONNECTORS for different types of flexible conduits like: steel braided & un-braided, steel conduit with PVC / Nylon coating, liquid tight coated conduits & also for flexible PVC & Nylon conduits. We are having 6 different models of these glands including **Polyamide made connector with metallic threads**. *Moreover, we also supply all types of flexible conduits mentioned above.*

TECHNICAL DATA:	
Type:	CONDUIT GLANDS
Threads:	E.T., NPT, METRIC & PG
Gland Material:	Electro Nickel Plated Brass (general) <i>Plating options: Chrome, Tin, Zinc</i>
Insert Material:	Polyamide 6
Accessories (optional):	Lock nut
Part Number Details: 1. Gland Nut 2. Insert 3. Gland Body	



Gland Selection Table: (All dimensions except PG threads sizes are in M.M.)

Note: *Special / customized requirement will also be accepted.*

SIZE	D1	D2	D3	THREAD	L	TL	F1		F2	
							A/F	A/C	A/F	A/C
PG 7	11.00	6.50	5.00	PG 7	5.00	20.50	18.00	19.60	19.00	20.50
PG 9	15.50	10.50	9.00	PG 9	5.00	21.50	21.00	23.00	20.00	21.00
PG 11	18.50	13.00	11.50	PG 11	6.50	28.50	26.00	27.50	24.00	25.50
PG 13.5	21.00	14.50	12.50	PG 13.5	6.50	28.50	28.00	29.50	26.50	27.50
PG 16	23.50	17.50	14.50	PG 16	7.00	31.00	30.00	31.50	28.00	29.50
PG 21	29.40	22.00	20.00	PG 21	8.00	35.00	36.00	38.00	34.00	36.00
PG 29	37.50	30.00	26.00	PG 29	9.00	41.00	47.00	49.50	45.00	47.50
PG 36	48.00	37.00	33.00	PG 36	10.00	47.50	60.00	63.00	57.00	60.00
PG 42	56.50	42.00	39.00	PG 42	10.00	52.00	69.00	73.00	65.00	69.50
PG 48	62.00	47.00	44.00	PG 48	10.00	57.00	74.00	78.00	70.00	75.00
M 12	11.00	6.50	5.00	M12 x 1.5	5.00	20.50	17.00	18.60	16.00	17.00
M 16	15.50	10.50	9.00	M16 x 1.5	5.00	21.50	21.00	23.00	20.00	21.00
M 20	21.00	14.50	12.50	M20 x 1.5	6.50	28.00	28.00	29.50	26.50	27.50
M 25	23.50	17.50	14.50	M25 x 1.5	7.00	31.00	30.00	31.50	28.00	29.50
M 32	29.40	22.00	20.00	M32 x 1.5	8.00	35.00	36.00	38.00	34.00	36.00
M 40	37.50	30.00	26.00	M40 x 1.5	8.00	40.00	47.00	49.50	45.00	47.50
M 50	48.00	37.00	33.00	M50 x 1.5	10.00	47.50	60.00	63.00	57.00	60.00
M 63	62.00	47.00	44.00	M63 x 1.5	10.00	57.00	74.00	78.00	70.00	75.00

*Dimensions are subject to be changed without any prior notice.

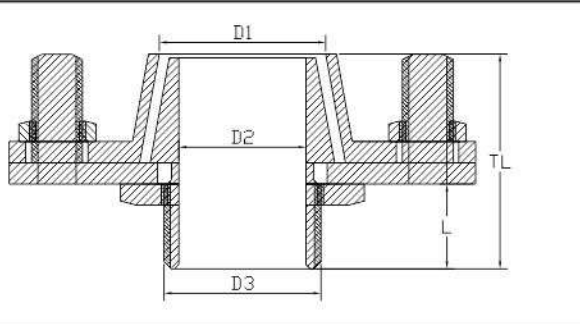




FLANGE TYPE CABLE GLANDS:

These indoor and outdoor cable glands are generally to be used for all types of armoured cables, The Cable Glands provides mechanism for cable retention and electrical continuity via armour wire termination only. An in-built armour clamping arrangement allows the cable to be easily disconnected from the equipment, for maintenance and change out etc. **HEAVY DUTY MODELS WITH LONG THREADS ARE AVAILABLE ON REQUEST.**

TECHNICAL DATA:	
Type:	FLANGE CABLE GLANDS
Threads:	B.S. Conduit
Gland Material:	Brass (general) Plating option: Nickel
Accessories (optional):	Earth Tag, Blank plugs Adapter / Reducer



Cable Gland Selection Table: (All dimensions are in M.M.)

Note: *Special / customized requirement will also be accepted.*

SIZE	D1	D2	D3	L	TL
FL 5	17.50	12.00	16.00	11.00	28.00
FL 4	19.75	15.00	19.00	11.00	29.50
FL 3	21.00	16.00	19.00	11.00	30.00
FL 2	25.00	21.00	25.00	12.00	31.00
FL 1	28.00	23.50	28.00	13.00	34.50
FL 11	33.00	28.00	31.00	14.00	39.00
FL 0	37.00	31.00	34.00	16.00	41.00
FL 00	39.00	33.00	36.50	16.00	41.00
FL 38	42.00	36.00	39.00	16.00	42.00
FL 001	48.50	42.00	46.00	16.00	46.00
FL 002	52.50	46.00	50.00	18.00	46.00
FL 003	56.50	52.50	56.50	18.00	46.00
FL 0033	66.00	54.00	63.00	18.00	49.00
FL 004	74.00	66.50	72.00	18.00	47.50
FL 005	86.00	79.50	86.50	21.00	66.00



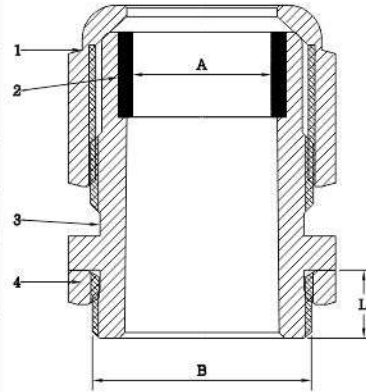
*Dimensions are subject to be changed without any prior notice.



UNIVERSAL CABLE GLANDS IN NYLON:

This product is suitable for use at every place where, protection against dust, liquid, strain, twist & vibration is required. Especially in manufacture of measuring & controlling instruments, machineries & equipments, chemical technology and system manufacturing. **AVAILABLE WITH ANTI-VIBRATION MECHANISM.**

TECHNICAL DATA:	
Type:	IP 68 NYLON CABLE GLANDS
Threads:	METRIC & PG (E.T. & NPT OPTIONAL)
Gland Material:	NYLON - 6
Inner Seal Material:	Neoprene Rubber
Accessories (optional):	Blank plugs, O-ring, Multi hole seal
Part Number Details:	
1. Gland Nut 2. Inner seal 3. Gland Body 4. Lock Nut	



Cable Gland Selection Table: (All dimensions except PG thread sizes are in M.M.)

Note: Special / customized requirement will also be accepted. Color options available for big quantity.

Sr. No.	SIZE	A Clamping Range (mm)	B Type (PG/M)	L Entry thread length (mm)
1	PG 7	03-06	PG 7	5.00
2	PG 9	03-08	PG 9	5.00
3	PG 11	05-10	PG 11	6.50
4	PG 13.5	06-12	PG 13.5	6.50
5	PG 16	09-14	PG 16	7.00
6	PG 21	12-18	PG 21	8.00
7	PG 29	17-25	PG 29	9.00
8	PG 36	21-32	PG 36	10.00
9	PG 42	31-38	PG 42	10.00
10	PG 48	35-44	PG 48	10.00
11	M 12	03-6.5	M12 x 1.5	5.00
12	M 16	04-09	M16 x 1.5	5.00
13	M 20	06-12	M20 x 1.5	6.50
14	M 25	10-16	M25 x 1.5	7.00
15	M 32	12-21	M32 x 1.5	8.00
16	M 40	22-31	M40 x 1.5	8.00
17	M 50	28-38	M50 x 1.5	10.00
18	M 63	34-45	M63 x 1.5	10.00



* Dimensions are subject to be changed without any prior notice.



:LUGS:



**CRIMPING TYPE
TINNED COPPER
CABLE TERMINAL ENDS**



**ALUMINIUM
TUBE TERMINAL**



**CRIMPING TYPE
TINNED COPPER PIN TYPE
CABLE TERMINAL ENDS**



**CRIMPING TYPE
TINNED COPPER PIN TYPE
CABLE TERMINAL ENDS**



**CRIMPING TYPE
TINNED COPPER
RING TYPE
CABLE TERMINAL ENDS**



**RING TYPE
TINNED COPPER
CABLE INSULATED
TERMINAL ENDS**



**CRIMPING TYPE
COPPER FORK TYPE
CABLE TERMINAL ENDS**



**CRIMPING TYPE
COPPER FORK TYPE
INSULATED
CABLE TERMINAL ENDS**



**CRIMPING TYPE
TINNED COPPER &
ALUMINIUM
IN-LINE CONNECTORS**



**TINNED COPPER
HEAVY DUTY LONG
CABLE TERMINAL ENDS**



**CRIMPING TYPE
TINNED COPPER &
ALUMINIUM
REDUCER TYPE
TERMINAL ENDS**



**ALUMINIUM - COPPER
BI-METAL TERMINAL
(WITH COPPER PALMS)**



:OTHER CABLE GLANDS AS PER GLOBAL STANDARDS:





STAINLESS STEEL CABLE TIES:

Sigma offers self locking (Ball lock & ladder type) cable ties in Stainless Steel (Grade 304 & 316) with smooth edges even safely install by hand..

Stainless Steel is suitable to use in hard condition like corrosive atmosphere, extreme temperature & offshore

Especially available with halogen free, Polyester / Nylon coating which is ideal to use in extreme low temperature and improves corrosion resistance.

These ties are available in 0.25 mm thickness, 4.6 & 7.9 mm width & 100 to 1000 mm length. Locking head dia of 4.6 - 11.00 x 6.50 x 4.50mm & 7.9 - 14.00 x 10.60 x 5.50mm.

- Ladder type (width 7mm & 12mm) & releaseable (width 6mm & 9mm) Cable ties are available in full range.
- Binding strap in required size with various types of buckles are available on request.

TECHNICAL DATA: (BALL LOCK ONLY)	
Material:	Stainless steel Grade 304 / 316
Coating:	Polyester / Nylon
Minimum tensile strength:	4.6 mm width Un-coated (45 kg)
	7.9 mm width Un-coated (113 kg)
	4.6 mm width Coated (45 kg)
	7.9 mm width Coated (113 kg)
Operating temperature:	Stainless Steel: - 80' to + 540' C
	Polyester: - 40' to + 140' C
	Nylon: - 80' to + 150' C

No.	Length (mm)	MAX. BUNDLE DIA. (mm)
01	100	20
02	150	35
03	200	50
04	250	60
05	300	80
06	360	100
07	520	150
08	680	200
09	840	250
10	1000	300

- Tensioning & Cutting tools are available.

Sizes & material grade could be changed as per requirements.





:PRECISION METAL COMPONENTS:



- **Material using: Brass, Copper & Copper alloys, S.S. & Aluminium**
- Round, Hex, Square or any other section.
- Cast, Forged, Turned & Pressed.
- Machining Capacity from 1 to 250 mm.
- Minimum Tolerance ± 0.01 mm.
- Any kind of Plating or Coating available.
- Designing the Components as per customer's requirements.



:PRECISION METAL COMPONENTS:





OUR MISSION, VISION & GOAL:

- To ensure total customer satisfaction by emphasizing quality products, on time delivery, cost effective products & reliability by dedicated team work.
- To run with fast moving scenario in industrial segment with keeping eyes to the future also, by creating new ideas, continuous development of new products & innovation.
- To be one of the best company & leading brand by spreading the network in India & globally. For this we are always glad to welcome all those who want to be the part of **SIGMA FAMILY** by designate them selves as a dealer / distributor, representative or user of our any of the products.

:REFERENCE DOCUMENTS:

SIGMA INDUSTRIES
JAMNAGAR

QUALITY POLICY

WE AT SIGMA INDUSTRIES ARE COMMITTED TO ACHIEVE TOTAL CUSTOMER SATISFACTION BY PROVIDING PRODUCTS AND SERVICES THAT MEET OR EXCEED THEIR EXPECTATION BASED ON AGREED SPECIFICATION AND TO DO SO ON-TIME AND AT COMPETITIVE PRICE IN NATIONAL AND INTERNATIONAL MARKETS.

OUR POLICY REQUIRES THAT ALL PEOPLE AND ALL ELEMENTS OF OUR ORGANIZATION BE COMMITTED TO THEIR EXCELLENCE. IT MEANS ALL TASKS MUST BE RIGHT AT FIRST TIME.

SIGMA INDUSTRIES
JAMNAGAR

ENVIRONMENTAL POLICY

We at SI, committed to minimize the adverse impact arising due to our activity, either on our employees or on environment by managing our processes, its product and activities, adhering to the requirements of legislation and regulations.

We are committed to comply with our Environmental Management System as per requirement of ISO 14001:2004 and Legal Requirements.

We are committed to continual improvements in our Environmental Management System by fulfilling our Objectives, Targets and Legal Requirements.

CERTIFICATE

The Certification Body of TÜV SÜD India Private Limited

Sigma Industries
Special Order No. 2015-05-01-01-00001-01
ISO 9001:2015

Manufacture and Supply of Cable Drives & its Accessories, Lugs, E.E. Cables, Ties, Control Wires and their Components

Certificate Registration No. 100 10087
Date of Issue: 2015-05-01
Issue Date: 2015-05-01

CERTIFICATE

The Certification Body of TÜV SÜD India Private Limited

Sigma Industries
Special Order No. 2015-05-01-01-00001-01
ISO 14001:2015

Manufacture and Supply of Cable Drives & its Accessories, Lugs, E.E. Cables, Ties, Control Wires and their Components

Certificate Registration No. 100 10088
Date of Issue: 2015-05-01
Issue Date: 2015-05-01

Test Report No. BLR/Rtd/11/10088
Date: 21.01.2012

Applicant: SIGMA INDUSTRIES
Address: Special Order No. 1001, 1002, 1003, Jamnagar - 381 004 (INDIA)

Material: 1001 Material Code: 1001-01-01
Order Number: 1001-01-01-01
Order Date: 2011-10-20
Order Reference: 1001-01-01-01-01

Inspector: 1001-01-01-01-01
Author: 1001-01-01-01-01
Reviewed: 1001-01-01-01-01
Approved: 1001-01-01-01-01

COMPLIANCE DOCUMENT

This Compliance Document is issued to:

SIGMA INDUSTRIES
SPECIAL ORDER NO. 1001, 1002, 1003
JAMNAGAR - 381 004 (INDIA)

FOR Product: CABLE GLAND

TEST STANDARDS: ISO 9001:2008, ISO 14001:2004, ISO 9001:2015, ISO 14001:2015

TEST REPORT NO: 1001-01-01-01-01

The compliance document is issued to certify that the organization has achieved compliance with the requirements of the applicable standards and regulations.

CERTIFICATE

The Certification Body of TÜV SÜD India Private Limited

Sigma Industries
Special Order No. 2015-05-01-01-00001-01
ISO 9001:2015

Manufacture and Supply of Cable Drives & its Accessories, Lugs, E.E. Cables, Ties, Control Wires and their Components

Certificate Registration No. 100 10087
Date of Issue: 2015-05-01
Issue Date: 2015-05-01

CERTIFICATE

The Certification Body of TÜV SÜD India Private Limited

Sigma Industries
Special Order No. 2015-05-01-01-00001-01
ISO 14001:2015

Manufacture and Supply of Cable Drives & its Accessories, Lugs, E.E. Cables, Ties, Control Wires and their Components

Certificate Registration No. 100 10088
Date of Issue: 2015-05-01
Issue Date: 2015-05-01

CERTIFICATE

The Certification Body of TÜV SÜD India Private Limited

Sigma Industries
Special Order No. 2015-05-01-01-00001-01
ISO 9001:2015

Manufacture and Supply of Cable Drives & its Accessories, Lugs, E.E. Cables, Ties, Control Wires and their Components

Certificate Registration No. 100 10087
Date of Issue: 2015-05-01
Issue Date: 2015-05-01

CERTIFICATE

The Certification Body of TÜV SÜD India Private Limited

Sigma Industries
Special Order No. 2015-05-01-01-00001-01
ISO 14001:2015

Manufacture and Supply of Cable Drives & its Accessories, Lugs, E.E. Cables, Ties, Control Wires and their Components

Certificate Registration No. 100 10088
Date of Issue: 2015-05-01
Issue Date: 2015-05-01

CERTIFICATE

The Certification Body of TÜV SÜD India Private Limited

Sigma Industries
Special Order No. 2015-05-01-01-00001-01
ISO 9001:2015

Manufacture and Supply of Cable Drives & its Accessories, Lugs, E.E. Cables, Ties, Control Wires and their Components

Certificate Registration No. 100 10087
Date of Issue: 2015-05-01
Issue Date: 2015-05-01

CERTIFICATE

The Certification Body of TÜV SÜD India Private Limited

Sigma Industries
Special Order No. 2015-05-01-01-00001-01
ISO 14001:2015

Manufacture and Supply of Cable Drives & its Accessories, Lugs, E.E. Cables, Ties, Control Wires and their Components

Certificate Registration No. 100 10088
Date of Issue: 2015-05-01
Issue Date: 2015-05-01

CERTIFICATE

The Certification Body of TÜV SÜD India Private Limited

Sigma Industries
Special Order No. 2015-05-01-01-00001-01
ISO 9001:2015

Manufacture and Supply of Cable Drives & its Accessories, Lugs, E.E. Cables, Ties, Control Wires and their Components

Certificate Registration No. 100 10087
Date of Issue: 2015-05-01
Issue Date: 2015-05-01

CERTIFICATE

The Certification Body of TÜV SÜD India Private Limited

Sigma Industries
Special Order No. 2015-05-01-01-00001-01
ISO 14001:2015

Manufacture and Supply of Cable Drives & its Accessories, Lugs, E.E. Cables, Ties, Control Wires and their Components

Certificate Registration No. 100 10088
Date of Issue: 2015-05-01
Issue Date: 2015-05-01

CERTIFICATE

The Certification Body of TÜV SÜD India Private Limited

Sigma Industries
Special Order No. 2015-05-01-01-00001-01
ISO 9001:2015

Manufacture and Supply of Cable Drives & its Accessories, Lugs, E.E. Cables, Ties, Control Wires and their Components

Certificate Registration No. 100 10087
Date of Issue: 2015-05-01
Issue Date: 2015-05-01

CERTIFICATE

The Certification Body of TÜV SÜD India Private Limited

Sigma Industries
Special Order No. 2015-05-01-01-00001-01
ISO 14001:2015

Manufacture and Supply of Cable Drives & its Accessories, Lugs, E.E. Cables, Ties, Control Wires and their Components

Certificate Registration No. 100 10088
Date of Issue: 2015-05-01
Issue Date: 2015-05-01

CERTIFICATE

The Certification Body of TÜV SÜD India Private Limited

Sigma Industries
Special Order No. 2015-05-01-01-00001-01
ISO 9001:2015

Manufacture and Supply of Cable Drives & its Accessories, Lugs, E.E. Cables, Ties, Control Wires and their Components

Certificate Registration No. 100 10087
Date of Issue: 2015-05-01
Issue Date: 2015-05-01

CERTIFICATE

The Certification Body of TÜV SÜD India Private Limited

Sigma Industries
Special Order No. 2015-05-01-01-00001-01
ISO 14001:2015

Manufacture and Supply of Cable Drives & its Accessories, Lugs, E.E. Cables, Ties, Control Wires and their Components

Certificate Registration No. 100 10088
Date of Issue: 2015-05-01
Issue Date: 2015-05-01

DOMESTIC & GLOBAL PRESENCE



AVAILABLE IN
ALL MAJOR
&
EVEN IN SMALL
CITIES IN INDIA...



SIGMA INDUSTRIES

CABLE GLANDS, ACCESSORIES, COMPONENTS...