

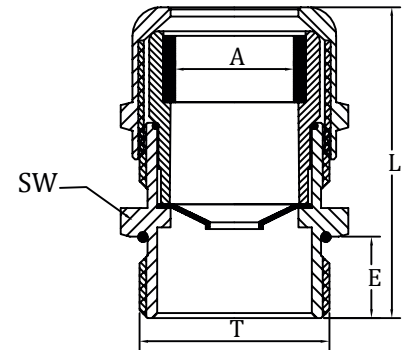


UNIVERSAL CABLE GLANDS WITH IP 68 PROTECTION: EMC SAFE [2nd Gen.]

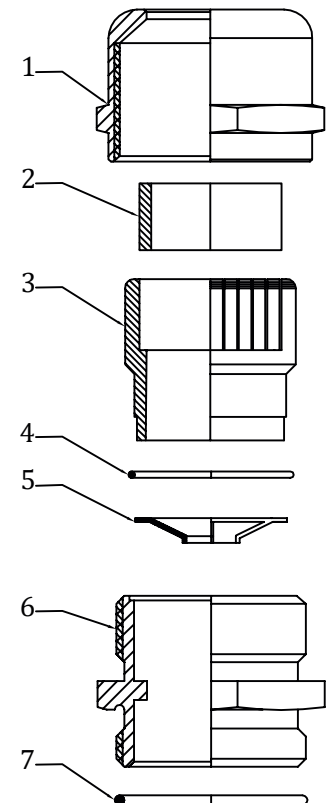
This product is suitable for use at every place where, protection against dust, liquid, strain, twist & vibration is required. Especially in manufacture of measuring & controlling instruments, machineries & equipments, chemical technology and system manufacturing.

TECHNICAL DATA:

No.	Particular	Material	Protection Class
1	Compression Nut	Brass Nickel Plated	IP 68 - 5 Bar [Tested by ERDA]
2	Sealing Ring	Neoprene Rubber	Temperature range
3	Insert	Polyamide 6	
4	Top O Ring	Nitrile Rubber	
5	EMC Component	CuSn (Silver plated)	
6	Gland Body	Brass Nickel Plated	
7	Back O Ring	Nitrile Rubber	



Sr. No.	Thread T	Clamping range (mm) A	Shield Diameter (mm)	Entry Thread Length (mm) E	Wrench Size (mm) SW	Max. Ass. Length (mm) L
1	PG 7	03-6.5	2.50	5.00	14.00	23.00
2	PG 9	04-08	3.00	6.00	17.00	28.00
3	PG 11	05-10	4.00	6.00	20.00	29.00
4	PG 13.5	06-12	5.00	6.50	22.00	30.00
5	PG 16	08-14	7.50	6.50	24.00	31.00
6	PG 21	11-18	9.00	7.00	30.00	36.00
7	PG 29	16-25	14.00	8.00	40.00	41.00
8	PG 36	22-32	20.00	9.00	50.00	46.00
9	PG 42	28-38	26.00	10.00	57.00	52.00
10	PG 48	34-44	31.00	10.00	64.00	52.00
11	M 12	03-6.5	2.50	5.00	14.00	24.50
12	M 16	04-08	3.00	5.00	17.00	27.00
13	M 20	06-12	4.50	6.00	22.00	30.00
14	M 25	09-16	7.50	7.00	27.00	35.00
15	M 32	12-21	10.00	8.00	34.00	38.00
16	M 40	18-28	16.00	8.00	43.00	43.00
17	M 50	26-36	24.00	9.00	55.00	47.50
18	M 63	36-48	33.00	10.00	65.00	58.50
19	M 70	40-53	36.00	15.00	74.00	59.00
20	M 75	48-63	44.00	15.00	79.00	59.00
21	M 80	53-68	48.00	15.00	85.00	62.00
22	M 90	60-75	55.00	20.00	95.00	70.00
23	M100	75-88	70.00	20.00	112.00	75.00
24	M110	85-98	80.00	25.00	122.00	80.00



*Dimensions are subject to be changed without any prior notice.

SALIENT FEATURES:

- 1) Clamping range & entry thread length are flexible.
- 2) All kinds of related Accessories are available.
- 3) These glands are available with Special threads like NPT, BSP, BS Cond. etc.
- 4) Protection class could be increased up to IP 68 -10 Bar.
- 5) Locknuts available.

