



# SIGMA INDUSTRIES

*CABLE GLANDS, ACCESSORIES, COMPONENTS...*



ISO: 9001



ISO: 14001



CM/L-2897992



P372327





## WE AT SIGMA INDUSTRIES...

...are engaged in manufacturing of precision metal components since 1996 with specialization in advanced cable accessories. Over the years we are continuously improving in development, manufacturing and supply chain to meet each and every requirement of our customers. We do have knowledge expert team who are very much enough for each & every spectrum of engineering excellence with our specialized products. We not only deals in our selected existing products, but we always welcome customized requirements even if small quantity, moreover we also design the product for approval if there is a total new development. We are committed to provide cost effective products & services with consistency in quality in all components of our products according to related national or inter-national standards.

As a part of CORPORATE SOCIAL RESPONSIBILITIES, we are associated with some national & international NGO & also with some organizations run by government of India.

We are well established with large in house manufacturing facilities with:

**1. Modern machineries, 2. Latest testing & measuring equipments, 3. Tool room 4. Testing laboratory.**

Moreover we also have a sound team of vendors & sub-contractors as back-up as well as for regular supply which help us to maintain the delivery schedules.

We are having different kinds of products & system approvals with a registered design for one particular product which are being mentioned with the technical details of products & copies of test certificates are located on page no. 19. We are keen to maintain our defined QUALITY POLICY as an ISO 9001 : 2008 registered firm & ENVIRONMENTAL POLICY as an ISO 14001 : 2004 firm [refer both policies on page no. 19].

We have one of the largest nation-wide dealer network in almost all states of INDIA to provide prompt & reliable services. Moreover our products are being supplied in 18 countries of 6 continents.

## SOME OF OUR PRESTIGIOUS CUSTOMERS / END-USERS:



## THE SPECTRUM WE SERVE







## UNIVERSAL CABLE GLANDS WITH IP 68 PROTECTION:

This product is suitable for use at every place where, protection against dust, liquid, strain, twist & vibration is required. Especially in manufacture of measuring & controlling instruments, machineries & equipments, chemical technology and system manufacturing.

### TECHNICAL DATA:

<b>MATERIAL:</b>			
<i>Body With Lock Nut</i>	Nickel Plated Brass	<i>O Ring</i>	Nitrile Rubber
<i>Insert</i>	Polyamide 6	<i>Protection Class</i>	IP 68 - 5 Bar [Tested by ERDA]
<i>Sealing Ring</i>	Neoprene Rubber	<i>Temperature range</i>	-30' to +100' C

Sr. No.	Type/ Size (Pg / M)	Clamping range (mm)	Entry Thread Length (mm)	Wrench Size (mm)	Max. Ass. Length (mm)
1	PG 7	2-6.5	5.00	14.00	23.00
2	PG 9	03-08	6.00	17.00	28.00
3	PG 11	04-10	6.00	20.00	29.00
4	PG 13.5	05-12	6.50	22.00	30.00
5	PG 16	08-14	6.50	24.00	31.00
6	PG 21	11-18	7.00	30.00	36.00
7	PG 29	16-25	8.00	40.00	41.00
8	PG 36	22-32	9.00	50.00	46.00
9	PG 42	28-38	10.00	57.00	52.00
10	PG 48	34-44	10.00	64.00	52.00
11	M 12	02-6.5	5.00	14.00	24.50
12	M 16	03-08	5.00	17.00	27.00
13	M 20	05-12	6.00	22.00	30.00
14	M 25	09-16	7.00	27.00	35.00
15	M 32	12-21	8.00	34.00	38.00
16	M 40	18-28	8.00	43.00	43.00
17	M 50	26-36	9.00	55.00	47.50
18	M 63	36-48	10.00	65.00	58.50
19	M 70	40-53	15.00	74.00	59.00
20	M 75	48-63	15.00	79.00	59.00
21	M 80	53-68	15.00	85.00	62.00
22	M 90	60-75	20.00	95.00	70.00
23	M 100	75-88	20.00	112.00	75.00
24	M 110	85-98	25.00	122.00	80.00



\*Dimensions are subject to be changed without any prior notice.

### SALIENT FEATURES:

- 1) Clamping range & entry thread length are flexible.
- 2) All kinds of related Accessories are available.
- 3) These glands are available with Special threads like NPT, BSP, BS Cond. etc.
- 4) Protection class could be increased up to IP 68 -10 Bar.
- 5) Provided with Locknuts.

SPIRAL TYPE



MULTI HOLE SEAL



NPT THREADS



EMC IN DIFFERENT MODELS



IP-68 10 BAR PROTECTION

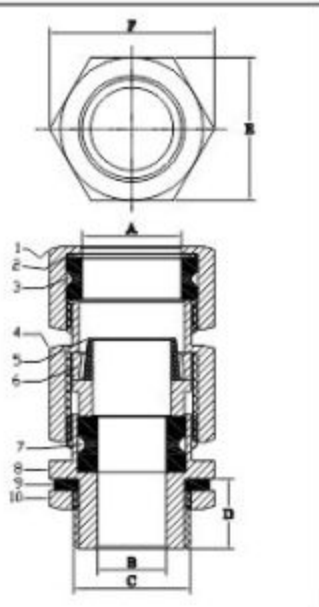




## CGW WEATHER-PROOF DOUBLE COMPRESSION CABLE GLANDS:

These indoor and outdoor cable glands are for use with all types of armoured & un-armoured cables, providing environmental seal for inner & outer sheath of cables. The Cable Glands also provides mechanical cable retention and electrical continuity via armour wire termination. A detachable armour cone and anyway universal clamping ring arrangement allows the cable to be easily disconnected from the equipment, for maintenance and change out etc.

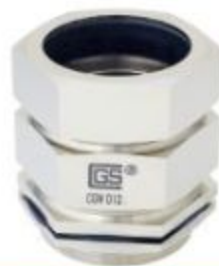
TECHNICAL DATA:	
Type:	CGW (Double Compression)
Design Specification:	IEC 60529 [WEATHER-PROOF]
Threads Options:	E.T., NPT, METRIC & PG
Operating Temperature:	-30°C to +100°C
Protection Class:	IP 66 [TESTED BY CIMFR]
Gland Material:	Electro Nickel Plated Brass (general) <i>Material options:</i> Stainless steel, Mild steel & Aluminum <i>Plating options:</i> Chrome, Tin, Zinc
Seal Material:	Neoprene Rubber
Accessories (optional):	Shroud, Earth Tag, Blank plug, Adapter / Reducer, Entry Thread Seal
<b>Part Number Details:</b>	
1. Compression Nut    2. Support Ring (PVC)    3. Outer Seal 4. Cover Nut    5. Armour Cone    6. Clamping Ring 7. Inner seal    8. Gland Body    9. Flat Washer (PVC)    10. Lock Nut	



**Cable Gland Selection Table:** (All dimensions except thread sizes are in M.M.)

**Note:** Special / customized requirement will also be accepted.

GLAND SIZE (Cat. No.)	DIA. "A" (Max.)	DIA. "B" (Max.)	ENTRY "C" (E.T. threads)	LENGTH "D" (Max.)	FLAT "E" (Max.)	CORNER "F" (Max.)
CGW 01SS	13.00	8.50	3 / 4"	15.00	22.00	25.40
CGW 01S	16.50	11.00	3 / 4"	15.00	25.00	29.00
CGW 01	18.00	12.00	3 / 4"	15.00	28.00	32.00
CGW 01A	18.00	12.00	1"	15.00	28.00	32.00
CGW 02	20.00	14.00	1"	15.00	31.50	36.50
CGW 02A	20.00	14.00	3 / 4"	15.00	31.50	36.50
CGW 03	23.00	17.00	1"	15.00	32.00	37.00
CGW 04	26.00	20.00	1"	15.00	38.00	44.00
CGW 04A	26.00	20.00	1.1 / 4"	15.00	38.00	44.00
CGW 05	30.00	24.00	1.1 / 4"	15.00	41.00	47.00
CGW 05A	30.00	24.00	1.1 / 2"	15.00	41.00	47.00
CGW 06	33.00	27.00	1.1 / 2"	15.00	46.00	52.50
CGW 06A	33.00	27.00	1.1 / 4"	15.00	46.00	52.50
CGW 07	37.00	30.00	1.1 / 2"	15.00	52.00	59.50
CGW 08	41.00	35.00	2"	15.00	56.00	64.00
CGW 09	46.00	40.00	2"	15.00	59.00	67.00
CGW 010	52.00	44.00	2"	20.00	67.50	77.00
CGW 010A	52.00	44.00	2.1 / 2"	20.00	67.50	77.00
CGW 011	60.00	54.00	2.1 / 2"	20.00	80.00	92.00
CGW 012	67.00	60.00	3"	20.00	85.00	98.00
CGW 013A	72.00	66.00	3"	20.00	97.00	112.00
CGW 013	78.00	72.00	3.1 / 4"	20.00	99.00	114.00
CGW 014	84.00	78.00	3.1 / 2"	20.00	108.00	125.00
CGW 015	94.00	88.00	4"	20.00	117.00	135.00
CGW 016	105.00	98.00	4.1 / 2"	20.00	130.00	150.00



IP - 66  
CIMFR/TC/P/1558

AVAILABLE IN  
S.S. & ALUMINIUM  
ON REQUEST

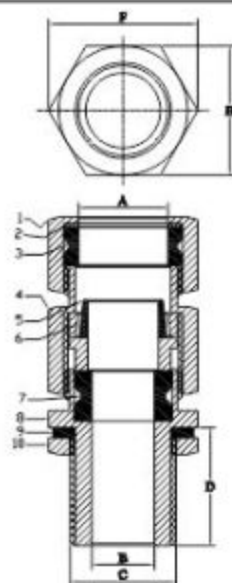
\*Dimensions are subject to be changed without any prior notice.



## CGF FLAME-PROOF / WEATHER-PROOF DOUBLE COMPRESSION CABLE GLANDS: [LONG THREADS]

These indoor and outdoor cable glands are for use with all types of armoured & un-armoured cables, providing environmental seal for inner & outer sheath of cables. The Cable Glands also provides mechanical cable retention and electrical continuity via armour wire termination. A detachable armour cone and anyway universal clamping ring arrangement allows the cable to be easily disconnected from the equipment, for maintenance and change out etc.

TECHNICAL DATA:	
Type:	CGF (Double Compression)
Design Specification:	IS / IEC 60079-1: 2007 [FLAME-PROOF IIA & IIB]
Threads:	E.T., NPT, METRIC & PG
Operating Temperature:	-30°C to +100°C
Protection Class:	IP 66 [TESTED BY CIMFR]
Gland Material:	Electro Nickel Plated Brass (general) <i>Material options:</i> Stainless steel, Mild steel & Aluminum <i>Plating options:</i> Chrome, Tin, Zinc
Seal Material:	Neoprene Rubber
Accessories (optional):	Shroud, Earth Tag, Blank plugs Adaptor / Reducer, Entry Thread Seal
Part Number Details:	
1. Compression Nut 2. Support Ring (PVC) 3. Outer Seal 4. Cover Nut 5. Armour Cone 6. Clamping Ring 7. Inner seal 8. Gland Body 9. Flat Washer (PVC) 10. Lock Nut	



**Cable Gland Selection Table :** (All dimensions except thread sizes are in M.M.)

**Note:** Special / customized requirement will also be accepted.

GLAND SIZE (Cat. No.)	DIA. "A" (Max.)	DIA. "B" (Max.)	ENTRY "C" (E.T. threads)	LENGTH "D" (Max.)	FLAT "E" (Max.)	CORNER "F" (Max.)
CGF 01SS	13.00	8.50	3 / 4"	25.00	22.00	25.40
CGF 01S	16.50	11.00	3 / 4"	25.00	25.00	29.00
CGF 01	18.00	12.00	3 / 4"	25.00	28.00	32.00
CGF 01A	18.00	12.00	1"	25.00	28.00	32.00
CGF 02	20.00	14.00	1"	25.00	31.50	36.50
CGF 02A	20.00	14.00	3 / 4"	25.00	31.50	36.50
CGF 03	23.00	17.00	1"	25.00	32.00	37.00
CGF 04	26.00	20.00	1"	25.00	38.00	44.00
CGF 04A	26.00	20.00	1.1 / 4"	25.00	38.00	44.00
CGF 05	30.00	24.00	1.1 / 4"	25.00	41.00	47.00
CGF 05A	30.00	24.00	1.1 / 2"	25.00	41.00	47.00
CGF 06	33.00	27.00	1.1 / 2"	25.00	46.00	52.50
CGF 06A	33.00	27.00	1.1 / 4"	25.00	46.00	52.50
CGF 07	37.00	30.00	1.1 / 2"	25.00	52.00	59.50
CGF 08	41.00	35.00	2"	25.00	56.00	64.00
CGF 09	46.00	40.00	2"	25.00	59.00	67.00
CGF 010	52.00	44.00	2"	25.00	67.50	77.00
CGF 010A	52.00	44.00	2.1 / 2"	25.00	67.50	77.00
CGF 011	60.00	54.00	2.1 / 2"	25.00	80.00	92.00
CGF 012	67.00	60.00	3"	25.00	85.00	98.00
CGF 013A	72.00	66.00	3"	25.00	97.00	112.00
CGF 013	78.00	72.00	3.1 / 4"	25.00	99.00	114.00
CGF 014	84.00	78.00	3.1 / 2"	25.00	108.00	125.00
CGF 015	94.00	88.00	4"	25.00	117.00	135.00
CGF 016	105.00	98.00	4.1 / 2"	25.00	130.00	150.00

\* Dimensions are subject to be changed without any prior notice.



FLP/WP[IIA & IIB]  
CIMFR/TC/P/59  
PESO TC No.: P372327/5  
CIMFR/TC/S/H249  
PESO TC No.: P372327/6

AVAILABLE IN  
INCREASED SAFETY  
CIMFR/TC/P/H259  
PESO TC No.: P372327/7

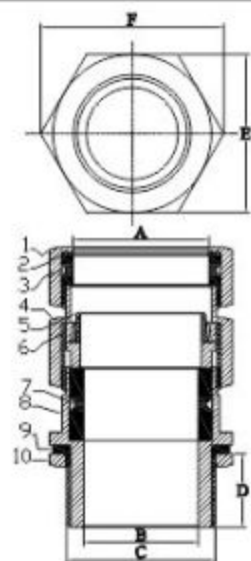
AVAILABLE IN  
S.S. & ALUMINIUM  
ON REQUEST



## CGF IIC FLAME-PROOF / WEATHER-PROOF (IIC) DOUBLE COMPRESSION CABLE GLANDS:

These indoor and outdoor cable glands are for use with all types of armoured & un-armoured cables, providing environmental seal for inner & outer sheath of cables. The Cable Glands also provides mechanical cable retention and electrical continuity via armour wire termination. A detachable armour cone and anyway universal clamping ring arrangement allows the cable to be easily disconnected from the equipment, for maintenance and change out etc.

TECHNICAL DATA:	
Type:	CGF IIC (Double Compression)
Design Specification:	IS / IEC 60079-1: 2007, [FLAME-PROOF GROUP IIC]
Threads:	E.T., NPT, METRIC & PG
Operating Temperature:	-30°C to +100°C
Protection Class:	IP 66 [IS 12063:1987 / IEC 60529] TESTED BY CIMFR
Gland Material:	Electro Nickel Plated Brass (general) <i>Material options:</i> Stainless steel, Mild steel & Aluminum <i>Plating options:</i> Chrome, Tin, Zinc
Seal Material:	Neoprene Rubber
Accessories (optional):	Shroud, Earth Tag, Blank plugs Adaptor Reducer, Entry Thread Seal
Part Number Details:	
1. Compression Nut 2. Support Ring (PVC) 3. Outer Seal 4. Cover Nut 5. Armour Cone 6. Clamping Ring 7. Inner seal 8. Gland Body 9. Flat Washer (PVC) 10. Lock Nut	



**Cable Gland Selection Table:** (All dimensions except thread sizes are in M.M.)

**Note:** Special / customized requirement will also be accepted.

GLAND SIZE (Cat. No.)	DIA. "A" (Max.)	DIA. "B" (Max.)	ENTRY "C" (E.T.)	LENGTH "D"	FLAT "E"	CORNER "F"
CGF IIC 01SS	13.00	8.50	3/4"	25.00	22.00	25.40
CGF IIC 01S	16.50	10.00	3/4"	25.00	25.00	29.00
CGF IIC 01	18.00	12.00	3/4"	25.00	28.00	32.00
CGF IIC 01A	18.00	12.00	1"	25.00	28.00	32.00
CGF IIC 02	20.00	14.00	1"	25.00	31.50	36.50
CGF IIC 02A	20.00	14.00	3/4"	25.00	31.50	36.50
CGF IIC 03	23.00	17.00	1"	25.00	32.00	37.00
CGF IIC 04	26.00	20.00	1"	25.00	38.00	44.00
CGF IIC 04A	26.00	20.00	1.1/4"	25.00	38.00	44.00
CGF IIC 05	30.00	24.00	1.1/4"	25.00	41.00	47.00
CGF IIC 05A	30.00	24.00	1.1/2"	25.00	41.00	47.00
CGF IIC 06	33.00	27.00	1.1/2"	25.00	46.00	52.50
CGF IIC 06A	33.00	27.00	1.1/4"	25.00	46.00	52.50
CGF IIC 07	37.00	30.00	1.1/2"	25.00	52.00	59.50
CGF IIC 08	41.00	35.00	2"	25.00	56.00	64.00
CGF IIC 09	46.00	40.00	2"	25.00	59.00	67.00
CGF IIC 010	52.00	44.00	2"	25.00	67.50	77.00
CGF IIC 010A	52.00	44.00	2.1/2"	25.00	67.50	77.00
CGF IIC 011	60.00	54.00	2.1/2"	25.00	80.00	92.00
CGF IIC 012	67.00	60.00	3"	25.00	85.00	98.00
CGF IIC 013A	72.00	66.00	3"	25.00	97.00	112.00
CGF IIC 013	78.00	72.00	3.1/4"	25.00	99.00	114.00
CGF IIC 014	84.00	78.00	3.1/2"	25.00	108.00	125.00
CGF IIC 015	94.00	88.00	4"	25.00	117.00	135.00
CGF IIC 016	105.00	98.00	4.1/2"	25.00	130.00	150.00



FLP / WP[IIC]  
CIMFR/TC/P/H700  
PESO TC No.: P372327/1

AVAILABLE IN  
S.S. & ALUMINIUM  
ON REQUEST

\*Dimensions are subject to be changed without any prior notice.





## GLAND RELATED ACCESSORIES:



## EARTHING ACCESSORIES



### BLANK PLUGS

T.C. No.

CIMFR/TC/P/1510

PESO TC No.: P372327/3

### ADAPTERS, CONVERTER, ENLARGER & REDUCER

T.C. No. CIMFR/TC/P/H701

PESO TC No.: P372327/2

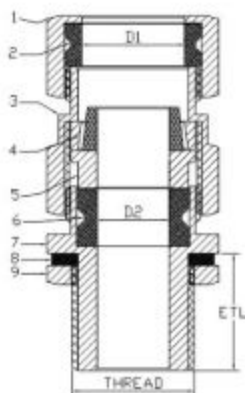
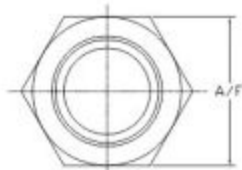
- LARGEST RANGE OF ADAPTER, CONVERTER, ENLARGER & REDUCER.
- Blank plugs are certified by CIMFR for gas group IIC.
- Adapters, Converter, Enlarger & Reducer are certified by CIMFR for gas group IIC.
- Locknuts are available in Metric, E.T., P.G. & NPT treads.
- Earth tags are available in Brass S.S. & Aluminium.
- Shrouds available in normal & LSF grade.



## CGS DOUBLE COMPRESSION CABLE GLANDS:

These indoor and outdoor cable glands are for use with all types of armoured & un-armoured cables, providing environmental seal for inner & outer sheath of cables. The Cable Glands also provides mechanical cable retention and electrical continuity via armour wire termination. A detachable armour cone and anyway universal clamping ring arrangement allows the cable to be easily disconnected from the equipment, for maintenance and change out etc.

TECHNICAL DATA:		
<b>Type:</b>	<b>DOUBLE COMPRESSION</b>	
<b>Design Specification:</b>	IEC 60529 [WEATHER-PROOF]	
<b>Threads:</b>	E.T., NPT & METRIC	
<b>Operating Temperature:</b>	-30°C to + 100°C	
<b>Protection Class:</b>	IP 65 (IS 12063 : 1987 / IEC 60529 : 1989)	
<b>Gland Material:</b>	Electro Nickel Plated Brass (general) <b>Material options:</b> Stainless steel, Mild steel & Aluminum <b>Plating options:</b> Chrome, Tin, Zinc	
<b>Seal Material:</b>	Natural Rubber	
<b>Accessories (optional):</b>	Shroud, Earth Tag, Blank plugs, Adapter / Reducer, Entry Thread Seal	
<b>Part Number Details:</b>		
1. Compression Nut	2. Outer Seal	3. Cover Nut
4. Clamping Ring	5. Armour Cone	6. Inner seal
7. Gland Body	8. Flat Washer (PVC)	9. Lock Nut



**Cable Gland Selection Table:** (All dimensions except thread sizes are in M.M.)

**Note:** *Special / customized requirement will also be accepted.*

GLAND SIZE (Cat. No.)	D1	D2	THREAD	ETL	A/F
3/8" (10 mm)	9.50	8.00	1/2" ET	25.00	17.75
1/2" (12 mm)	15.00	12.00	5/8" ET	25.00	22.00
5/8" (16 mm)	16.00	12.00	3/4" ET	25.00	23.00
3/4" (19 mm)	17.50	14.00	3/4" ET	25.00	24.00
7/8" (22 mm)	19.00	14.00	3/4" ET	25.00	25.50
1" (25 mm)	23.00	18.50	1" ET	25.00	31.50
1.1/8" (28 mm)	26.00	21.50	1.1/8" ET	25.00	34.50
1.1/4" (32 mm)	31.00	27.00	1.1/4" ET	25.00	41.00
1.3/8" (35 mm)	35.00	29.00	1.3/8" ET	25.00	45.50
1.1/2" (38 mm)	38.00	32.00	1.1/2" ET	25.00	47.50
1.3/4" (45 mm)	46.00	38.00	1.3/4" ET	25.00	56.50
2" (50 mm)	49.00	44.00	2" ET	25.00	61.00
2.1/4" (57 mm)	57.00	48.00	2.1/4" ET	25.00	67.00
2.1/2" (63 mm)	63.00	56.00	2.1/2" ET	25.00	74.50
2.3/4" (70 mm)	68.00	63.00	2.3/4" ET	25.00	82.50
3" (75 mm)	76.00	68.00	3" ET	25.00	92.00
3.1/4" (82 mm)	78.00	70.00	3.1/4" ET	25.00	93.00
3.1/2" (88 mm)	85.00	77.00	3.1/2" ET	25.00	102.00
4" (100 mm)	96.00	86.00	4" ET	25.00	115.00



\*Dimensions are subject to be changed without any prior notice.

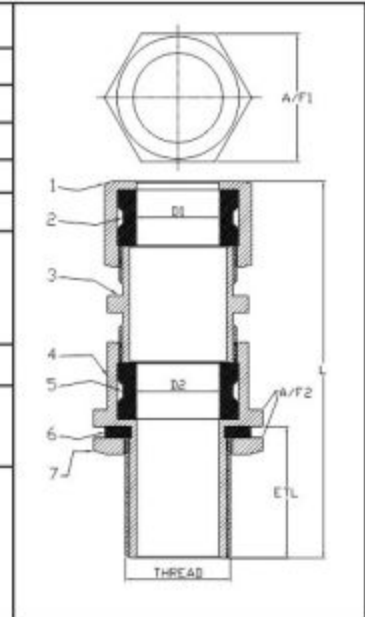




## DOUBLE COMPRESSION CABLE GLANDS [FOR UN-ARMoured CABLES]:

These indoor and outdoor cable glands are especially designed for un-armoured & flexible cables, providing 2 nos. of environmental seal for outer sheath of cables having universal clamping range, allows the cable to be easily disconnected from the equipment, for maintenance and change out etc. **THIS IS THE NEW INVENTION OF ENTIRE RANGE, WE HAVE REGISTERED THIS DESIGN.**

TECHNICAL DATA:			
<b>Type:</b>	<i>Double Compression [for U/A. &amp; flexible cables]</i>		
<b>Design Specification:</b>	IS / IEC 60079 & IEC 60529 [FLP & W/P.]		
<b>Threads:</b>	E.T., NPT & METRIC		
<b>Operating Temperature:</b>	-30°C to + 100°C		
<b>Protection Class:</b>	IP 66 (IEC 60529 : 1989)		
<b>Gland Material:</b>	<i>Material options:</i> Stainless steel, Mild steel & Aluminum <i>Plating options:</i> Chrome, Tin, Zinc		
<b>Seal Material:</b>	Nitrile Rubber		
<b>Accessories (optional):</b>	Shroud, Earth Tag, Blank plugs Adapter / Reducer, Entry Thread Seal		
<b>Part Number Details:</b>			
1. Compression Nut	2. Outer Seal-1	3. Gland Nut	
4. Gland Body	5. Outer Seal-2	6. Flat Washer	7. Lock Nut



**Cable Gland Selection Table:** (All dimensions except thread sizes are in M.M.)

**Note:** Special / customized requirement will also be accepted.

GLAND SIZE (Cat. No.)	D1 & D2 Crimping Range	THREADS	ETL	A/F 1	A/F 2
3/8" (10 mm)	09 - 06	5/8" ET	25.00	18.00	20.00
1/2" (12 mm)	11 - 07	5/8" ET	25.00	18.00	20.00
5/8" (16 mm)	12 - 08	3/4" ET	25.00	20.00	23.00
3/4" (19 mm)	14 - 10	3/4" ET	25.00	23.00	23.00
7/8" (22 mm)	17 - 13	1" ET	25.00	24.00	31.50
1" (25 mm)	18 - 14	1" ET	25.00	25.50	31.50
1.1/8" (28 mm)	21 - 16	1.1/8" ET	25.00	31.00	33.00
1.1/4" (32 mm)	27 - 22	1.1/4" ET	25.00	36.00	39.00
1.3/8" (35 mm)	30 - 25	1.3/8" ET	25.00	39.50	42.00
1.1/2" (38 mm)	32 - 27	1.1/2" ET	25.00	42.50	46.00
1.3/4" (45 mm)	38 - 33	1.3/4" ET	25.00	50.00	54.00
2" (50 mm)	44 - 39	2" ET	25.00	56.50	59.00
2.1/4" (57 mm)	48 - 43	2.1/4" ET	25.00	61.00	66.00
2.1/2" (63 mm)	56 - 50	2.2/4" ET	25.00	67.00	74.50
2.3/4" (70 mm)	63 - 58	2.3/4" ET	25.00	74.50	82.50
3" (75 mm)	68 - 63	3" ET	25.00	82.50	92.50
3.1/4" (82 mm)	70 - 65	3.1/4" ET	25.00	84.00	94.00
3.1/2" (88 mm)	77 - 72	3.1/2" ET	25.00	92.50	102.00
4" (100 mm)	85 - 80	4" ET	25.00	102.00	115.00

\*Dimensions are subject to be changed without any prior notice.

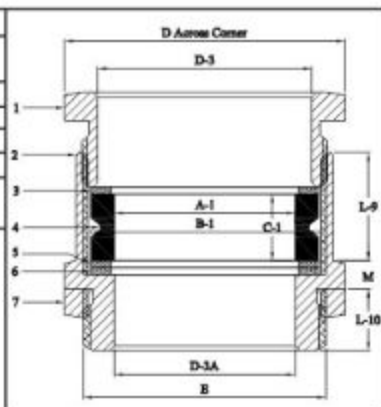




## SIBG (S.C. - HEAVY DUTY) CABLE GLANDS:

These indoor and outdoor cable glands are for use with all types of Armoured & un-armoured cables, providing environmental seal for outer Sheath of cables. The Cable Glands also provides mechanical cable retention and electrical continuity via armour wire termination.

TECHNICAL DATA:	
Type:	<b>SINGLE COMPRESSION (HEAVY DUTY)</b>
Design Specification:	IP 66 (IS 12063:1987 / IEC 60529:1989)
Threads:	E.T., NPT, METRIC & PG
Gland Material:	Electro Nickel Plated Brass (general)
Seal Material:	NEOPRENE RUBBER
Accessories (optional):	Shroud, Earth Tag, Blank plugs, Adapter / Reducer, Entry Thread Seal
Part Number Details:	Protection Class: IP - 66
1. Compression Nut	
2. Gland Body	
3. Support Washer (MS)	
4. Rubber Seal	
5. Support Washer (MS)	
6. Support Washer (MS)	
7. Lock Nut	



**Cable Gland Selection Table:** (All dimensions except thread size are in M.M.)

**Note:** Special / customized requirement will also be accepted.

GLAND REF. (Cat. No.)	E E.T. Threads	D-3 Max.	D-3A Max.	D Max.	A/F Max.	L-9 Max.	L-10 Max.	M Max.	RUBBER REF.	A-1	B-1	C-1
SIBG-1216	5/8"	16	12	25.50	22	15	9	3	R-1212	12	18	8
SIBG-1616	5/8"	19	12	29.50	25.50	15	9.50	3.50	R-1611	11	20.50	9
SIBG-1619	3/4"	19	15	29.50	25.50	15	9.50	3.50	R-1613	13	20.50	9
SIBG-2119	3/4"	24	15	36.50	31.50	18	9.50	3.50	R-1615	15		
SIBG-2125	1"	24	21	36.50	31.50	18	9.50	3.50	R-2116	16	26	11
SIBG-2925	1"	33	21	47	41.00	21	10	4	R-2118	18	26	11
SIBG-2932	1.1/4"	33	27	47	41.00	21	10	4	R-2120	20		
SIBG-2938	1.1/2"	33	32	47	41.00	21	10	4	R-2921	21	35	12
SIBG-3632	1.1/4"	41	26	59	51	22.50	11	4.50	R-2923	23	35	12
SIBG-3638	1.1/2"	41	32	59	51	22.50	11	4.50	R-2925	25		
SIBG-4238	1.1/2"	47	32	71	61.50	26	12	5.50	R-2927	27	35	12
SIBG-4251	2"	47	44.50	71	61.50	26	12	5.50	R-2929	29		
SIBG-5451	2"	56	44.50	80	69	27	12	6	R-3631	31	45	14
SIBG-5463	2.1/2"	56	55	80	69	27	12	6	R-3633	33		
SIBG-6063	2.1/2"	64	55	92	80.00	31	12	6.50	R-3635	35	45	14
SIBG-6675	3"	68	66	100	87.00	33	13	7	R-3637	37		
SIBG-7882	3.1/4"	82	72	116	100.50	33	14	8	R-4236	36	52	17
SIBG-8490	3.1/2"	91	81	124	107.50	30	19	8	R-4238	38		
SIBG-9210	4"	98	91	135	117	32	20	8	R-4240	40	52	17
SIBG-1011	4.1/4"	107	100	146	126.50	32	25	9	R-4242	42		
SIBG-1525	5"	118	113	164	142	32	25	10	R-5444	44	59	18
									R-5446	46		
									R-5448	48	59	18
									R-5450	50		
									R-6053	53		
									R-6055	55	68	18
									R-6058	58		
									R-6060	60		
									R-6662	62		
									R-6664	64	72	18
									R-6668	68		
									R-7870	70		
									R-7874	74	88	20
									R-7877	77		
									R-8484	84	97	20
									R-9292	92	105	20
									R-1100	100	114	20
									R-1115	115	127	20

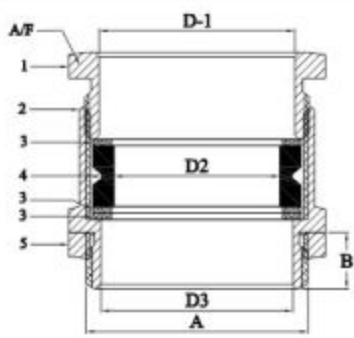
\* Dimensions are subject to be changed without any prior notice.



## SINGLE COMPRESSION CABLE GLANDS:

These indoor and outdoor cable glands are for use with all types of armoured & un-armoured cables, providing environmental seal for outer sheath of cables. The Cable Glands also provides mechanical cable retention and electrical continuity via armour wire termination.

### TECHNICAL DATA:

<b>Type:</b>	<i>SINGLE COMPRESSION</i>	
<b>Design Specification:</b>	IS 12943 : 1990 (IP - 55)	
<b>Threads:</b>	E.T., NPT & METRIC	
<b>Gland Material:</b>	Electro Nickel Plated Brass (general)	
<b>Seal Material:</b>	Natural Rubber	
<b>Accessories (optional):</b>	Shroud, Earth Tag, Blank plugs, Adapter / Reducer, Entry Thread Seal	
<b>Part Number Details:</b> <b>1.</b> Compression Nut <b>2.</b> Gland Body <b>3.</b> Support Washers (MS) <b>4.</b> RUBBER Seal <b>5.</b> Lock Nut		



**Cable Gland Selection Table:** (All dimensions except thread sizes are in M.M.)

**Note:** Special / customized requirement will also be accepted.

GLAND SIZE (Cat. No.)	D 1	D 2	D 3	ENTRY "A" (THREAD)	LENGTH "B"	A/F.
3/8" (10 mm)	12.70	10.40	12.70	5/8" ET	6.50	18.00
1/2" (12 mm)	15.40	12.50	12.70	5/8" ET	7.00	19.80
5/8" (16 mm)	15.40	12.50	15.60	3/4" ET	7.00	19.80
3/4" (19 mm)	17.80	14.50	15.60	3/4" ET	7.50	22.20
7/8" (22 mm)	20.70	18.00	15.60	3/4" ET	7.50	24.50
1" (25 mm)	23.60	19.00	21.60	1" ET	7.50	28.00
1.1/8" (28 mm)	28.00	24.00	24.60	1.1/8" ET	8.00	33.00
1.1/4" (32 mm)	31.30	27.50	27.70	1.1/4" ET	8.50	36.00
1.3/8" (35 mm)	35.80	31.50	29.70	1.3/8" ET	9.00	40.50
1.1/2" (38 mm)	38.30	33.00	33.50	1.1/2" ET	9.50	44.50
1.3/4" (45 mm)	44.30	39.00	40.30	1.3/4" ET	10.00	50.00
2" (50 mm)	51.80	46.50	45.50	2" ET	10.00	57.00
2.1/4" (57 mm)	57.80	49.50	52.30	2.1/4" ET	11.00	63.00
2.1/2" (63 mm)	62.70	55.50	58.40	2.1/2" ET	12.00	70.00
2.3/4" (70 mm)	69.00	61.00	63.00	2.3/4" ET	12.00	75.00
3" (75 mm)	75.70	65.50	70.50	3" ET	12.00	83.00
3.1/4" (82 mm)	82.00	74.00	76.50	3.1/4" ET	12.00	89.00
3.1/2" (88 mm)	85.00	78.00	83.00	3.1/2" ET	12.00	95.00
4" (100 mm)	100.00	90.00	92.00	4" ET	12.00	108.00

\*Dimensions are subject to be changed without any prior notice.

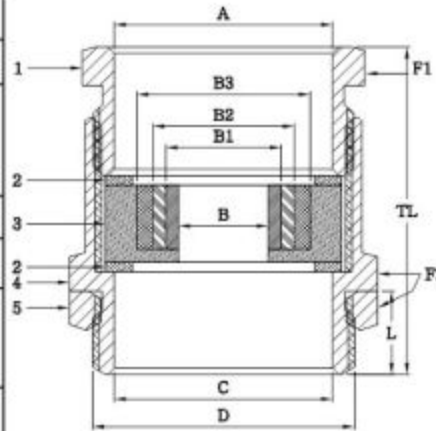




## S.C. CABLE GLANDS WITH MULTI LAYERED RUBBER SEAL:

These indoor and outdoor cable glands are for use with un-armoured & flexible cables. The especiality of this product is: **Rubber seal with removable layers ideal fir different O.D. of cables. This model is also available for flat cables by replacing rubber seals.**

TECHNICAL DATA:	
Type:	S.C. GLANDS
Threads:	METRIC & PG
Gland Material:	Electro Nickel Plated Brass (general) Material options: Stainless steel, Mild steel & Aluminum Plating options: Chrome, Tin, Zinc
Seal Material:	Neoprene Rubber
Washer Material:	Mild Steel / Brass
Protection Class:	IP - 54
Part Number Details: 1. Gland Nut 2. Washer 3. Layer Rubber 4. Gland Body 5. Lock nut	



**Cable Gland Selection Table:** (All dimensions except PG thread sizes are in M.M.)

**Note:** Special / customized requirement will also be accepted.

SIZE	"A"	SIZE				C	"D" THREADS	TL	L	F1		F2	
		B	B1	B2	B3					A/F	A/C	A/F	A/C
PG 7	10.00	7.00	----	----	----	10.00	PG 7	21.00	5.00	13.00	14.50	14.00	15.25
PG 9	12.50	5.25	9.00	11.50	----	12.50	PG 9	23.00	6.00	16.00	17.50	18.00	20.00
PG 11	15.00	7.50	10.50	12.50	----	15.50	PG 11	24.00	6.00	18.00	20.00	20.00	22.00
PG13.5	17.00	7.00	9.00	11.00	13.50	17.00	PG13.5	26.00	6.50	20.00	22.00	22.00	24.00
PG 16	18.50	7.75	11.00	13.50	16.50	18.50	PG 16	27.00	6.50	22.00	24.00	24.00	26.50
PG 21	24.00	10.00	13.50	16.00	20.50	24.00	PG 21	29.50	7.00	28.00	30.50	30.00	33.00
PG 29	32.00	18.00	21.50	25.50	28.50	32.00	PG 29	33.00	8.00	37.00	40.00	40.00	44.00
PG 36	42.00	23.50	29.00	32.00	36.00	42.00	PG 36	38.50	9.00	47.00	52.50	50.00	55.00
PG 42	49.00	30.00	33.00	36.00	40.50	49.00	PG 42	42.00	9.50	54.00	60.50	57.00	64.00
PG 48	53.50	35.00	39.50	43.50	48.00	53.50	PG 48	43.00	9.50	60.00	65.00	64.00	69.00
M 12	10.00	7.00	----	----	----	8.00	M12 x 1.5	21.00	5.00	13.00	14.50	14.00	15.25
M 16	12.50	5.25	9.00	11.50	----	12.50	M16 x 1.5	23.00	6.00	16.00	17.50	18.00	20.00
M 20	17.00	7.00	9.00	11.00	13.50	16.50	M20 x 1.5	26.00	6.50	20.00	22.00	22.00	24.00
M 25	18.50	7.75	11.00	13.50	16.50	18.80	M25 x 1.5	27.00	6.50	22.00	24.00	27.00	29.50
M 32	24.00	10.00	13.50	16.00	20.50	24.50	M32 x 1.5	29.50	7.00	30.00	33.00	34.00	37.00
M 40	32.00	18.00	21.50	25.50	28.50	32.00	M40 x 1.5	33.00	8.00	37.00	40.00	42.00	46.00
M 50	42.00	23.50	29.00	32.00	36.00	42.00	M50 x 1.5	38.50	9.00	47.00	52.50	51.00	56.50
M 63	50.00	35.00	39.50	43.50	48.00	50.00	M63 x 1.5	44.00	10.00	60.00	66.00	65.00	72.00

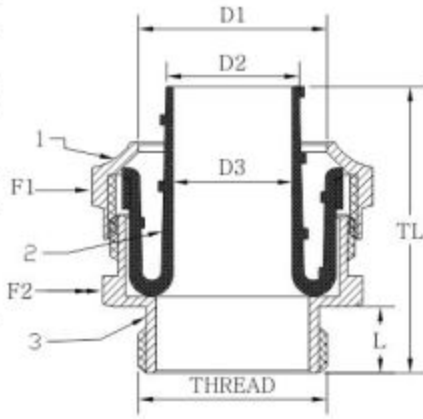
\*Dimensions are subject to be changed without any prior notice.



## CONDUIT GLANDS / SCREW COUPLINGS:

We offer multiple designs & models of CONDUIT CONNECTORS for different types of flexible conduits like: steel braided & un-braided, steel conduit with PVC / Nylon coating, liquid tight coated conduits & also for flexible PVC & Nylon conduits. We are having 6 different models of these glands including **Polyamide made connector with metallic threads**. *Moreover, we also supply all types of flexible conduits mentioned above.*

TECHNICAL DATA:	
Type:	CONDUIT GLANDS
Threads:	E.T., NPT, METRIC & PG
Gland Material:	Electro Nickel Plated Brass (general) <i>Plating options: Chrome, Tin, Zinc</i>
Insert Material:	Polyamide 6
Accessories (optional):	Lock nut
Part Number Details: 1. Gland Nut 2. Insert 3. Gland Body	




**Gland Selection Table:** (All dimensions except PG threads sizes are in M.M.)

**Note:** *Special / customized requirement will also be accepted.*

SIZE	D1	D2	D3	THREAD	L	TL	F1		F2	
							A/F	A/C	A/F	A/C
PG 7	11.00	6.50	5.00	PG 7	5.00	20.50	18.00	19.60	19.00	20.50
PG 9	15.50	10.50	9.00	PG 9	5.00	21.50	21.00	23.00	20.00	21.00
PG 11	18.50	13.00	11.50	PG 11	6.50	28.50	26.00	27.50	24.00	25.50
PG 13.5	21.00	14.50	12.50	PG 13.5	6.50	28.50	28.00	29.50	26.50	27.50
PG 16	23.50	17.50	14.50	PG 16	7.00	31.00	30.00	31.50	28.00	29.50
PG 21	29.40	22.00	20.00	PG 21	8.00	35.00	36.00	38.00	34.00	36.00
PG 29	37.50	30.00	26.00	PG 29	9.00	41.00	47.00	49.50	45.00	47.50
PG 36	48.00	37.00	33.00	PG 36	10.00	47.50	60.00	63.00	57.00	60.00
PG 42	56.50	42.00	39.00	PG 42	10.00	52.00	69.00	73.00	65.00	69.50
PG 48	62.00	47.00	44.00	PG 48	10.00	57.00	74.00	78.00	70.00	75.00
M 12	11.00	6.50	5.00	M12 x 1.5	5.00	20.50	17.00	18.60	16.00	17.00
M 16	15.50	10.50	9.00	M16 x 1.5	5.00	21.50	21.00	23.00	20.00	21.00
M 20	21.00	14.50	12.50	M20 x 1.5	6.50	28.00	28.00	29.50	26.50	27.50
M 25	23.50	17.50	14.50	M25 x 1.5	7.00	31.00	30.00	31.50	28.00	29.50
M 32	29.40	22.00	20.00	M32 x 1.5	8.00	35.00	36.00	38.00	34.00	36.00
M 40	37.50	30.00	26.00	M40 x 1.5	8.00	40.00	47.00	49.50	45.00	47.50
M 50	48.00	37.00	33.00	M50 x 1.5	10.00	47.50	60.00	63.00	57.00	60.00
M 63	62.00	47.00	44.00	M63 x 1.5	10.00	57.00	74.00	78.00	70.00	75.00

\* Dimensions are subject to be changed without any prior notice.

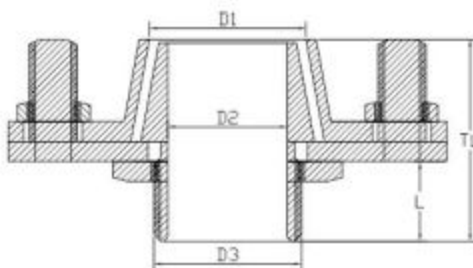




## FLANGE TYPE CABLE GLANDS:

These indoor and outdoor cable glands are generally to be used for all types of armoured cables, The Cable Glands provides mechanism for cable retention and electrical continuity via armour wire termination only. An in-built armour clamping arrangement allows the cable to be easily disconnected from the equipment, for maintenance and change out etc. **HEAVY DUTY MODELS WITH LONG THREADS ARE AVAILABLE ON REQUEST.**

TECHNICAL DATA:	
Type:	FLANGE CABLE GLANDS
Threads:	B.S. Conduit
Gland Material:	Brass (general) <i>Plating option: Nickel</i>
Accessories (optional):	Earth Tag, Blank plugs Adapter / Reducer



**Cable Gland Selection Table:** (All dimensions are in M.M.)

**Note:** *Special / customized requirement will also be accepted.*

SIZE	D1	D2	D3	L	TL
FL 5	17.50	12.00	16.00	11.00	28.00
FL 4	19.75	15.00	19.00	11.00	29.50
FL 3	21.00	16.00	19.00	11.00	30.00
FL 2	25.00	21.00	25.00	12.00	31.00
FL 1	28.00	23.50	28.00	13.00	34.50
FL 11	33.00	28.00	31.00	14.00	39.00
FL 0	37.00	31.00	34.00	16.00	41.00
FL 00	39.00	33.00	36.50	16.00	41.00
FL 38	42.00	36.00	39.00	16.00	42.00
FL 001	48.50	42.00	46.00	16.00	46.00
FL 002	52.50	46.00	50.00	18.00	46.00
FL 003	56.50	52.50	56.50	18.00	46.00
FL 0033	66.00	54.00	63.00	18.00	49.00
FL 004	74.00	66.50	72.00	18.00	47.50
FL 005	86.00	79.50	86.50	21.00	66.00



\* Dimensions are subject to be changed without any prior notice.

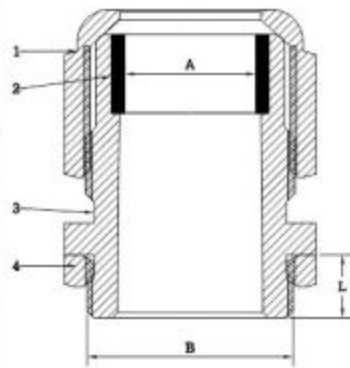




## UNIVERSAL CABLE GLANDS IN NYLON:

This product is suitable for use at every place where, protection against dust, liquid, strain, twist & vibration is required. Especially in manufacture of measuring & controlling instruments, machineries & equipments, chemical technology and system manufacturing. **AVAILABLE WITH ANTI-VIBRATION MECHANISM.**

TECHNICAL DATA:	
Type:	<b>IP 68 NYLON CABLE GLANDS</b>
Threads:	METRIC & PG (E.T. & NPT OPTIONAL)
Gland Material:	NYLON - 6
Inner Seal Material:	Neoprene Rubber
Accessories (optional):	Blank plugs, O-ring, Multi hole seal
Part Number Details: 1. Gland Nut 2. Inner seal 3. Gland Body 4. Lock Nut	



**Cable Gland Selection Table:** (All dimensions except PG thread sizes are in M.M.)

**Note:** Special / customized requirement will also be accepted. Color options available for big quantity.

Sr. No.	SIZE	A Clamping Range (mm)	B Type (PG/M)	L Entry thread length (mm)
1	PG 7	03-06	PG 7	5.00
2	PG 9	03-08	PG 9	5.00
3	PG 11	05-10	PG 11	6.50
4	PG 13.5	06-12	PG 13.5	6.50
5	PG 16	09-14	PG 16	7.00
6	PG 21	12-18	PG 21	8.00
7	PG 29	17-25	PG 29	9.00
8	PG 36	21-32	PG 36	10.00
9	PG 42	31-38	PG 42	10.00
10	PG 48	35-44	PG 48	10.00
11	M 12	03-6.5	M12 x 1.5	5.00
12	M 16	04-09	M16 x 1.5	5.00
13	M 20	06-12	M20 x 1.5	6.50
14	M 25	11-18	M25 x 1.5	7.00
15	M 32	12-21	M32 x 1.5	8.00
16	M 40	22-31	M40 x 1.5	8.00
17	M 50	28-38	M50 x 1.5	10.00
18	M 63	34-45	M63 x 1.5	10.00



\* Dimensions are subject to be changed without any prior notice.



**:OTHER CABLE GLANDS AS PER GLOBAL STANDARDS:**





## STAINLESS STEEL CABLE TIES:

Sigma offers self locking (Ball lock & ladder type) cable ties in Stainless Steel (Grade 304 & 316) with smooth edges even safely install by hand..

Stainless Steel is suitable to use in hard condition like corrosive atmosphere, extreme temperature & offshore conditions.

Especially available with halogen free, Polyester / Nylon coating which is ideal to use in extreme low temperature and improves corrosion resistance.

These ties are available in 0.25 mm thickness, 4.6 & 7.9 mm width & 100 to 1000 mm length. Locking head dia of 4.6 - 11.00 x 6.50 x 4.50mm & 7.9 - 14.00 x 10.60 x 5.50mm.

- Ladder type (width 7mm & 12mm) & releaseable (width 6mm & 9mm) Cable ties are available in full range.
- Binding strap in required size with various types of buckles are available on request.

TECHNICAL DATA: (BALL LOCK ONLY)	
<b>Material:</b>	Stainless steel Grade 304 / 316
<b>Coating:</b>	Polyester / Nylon
<b>Minimum tensile strength:</b>	4.6 mm width Un-coated (45 kg)
	7.9 mm width Un-coated (113 kg)
	4.6 mm width Coated (45 kg)
	7.9 mm width Coated (113 kg)
<b>Operating temperature:</b>	Stainless Steel: - 80' to + 540' C
	Polyester: - 40' to + 140' C
	Nylon: - 80' to + 150' C

No.	Length (mm)	MAX. BUNDLE DIA. (mm)
01	100	20
02	150	35
03	200	50
04	250	60
05	300	80
06	360	100
07	520	150
08	680	200
09	840	250
10	1000	300

- Tensioning & Cutting tools are available.

Sizes & material grade could be changed as per requirements.





## :PRECISION METAL COMPONENTS:



- **Material using: Brass, Copper & Copper alloys, S.S. & Aluminium**
- Round, Hex, Square or any other section.
- Cast, Forged, Turned & Pressed.
- Machining Capacity from 1 to 250 mm.
- Minimum Tolerance  $\pm 0.01\text{mm}$ .
- Any kind of Plating or Coating available.
- Designing the Components as per customer's requirements.



**:PRECISION METAL COMPONENTS:**





## :PLASTIC AND RUBBER PRODUCTS:



### **FEATURES:**

- Material using in plastic grade NYLON, ABS, SANTOPRENE, POLYURETHANE, HDPE, PVC etc...
- Material using in rubber grade NEOPRENE, SILICON, NITRILE, VITON, NATURAL etc...
- Maximum component weight in plastic grade 1.500 Kg.
- Maximum component weight in rubber grade 1.000 Kg.
- Minimum tolerance + / - 0.1mm
- Metal components with rubber or plastic moulding.
- In house tool room for mould making.



**:VARIOUS TYPES OF CONNECTORS:**





**:FLAME PROOF-WEATHER PROOF ENCLOSURES,  
FITTINGS & PANELS FOR GAS GROUP IIA-IIB & IIC:**





## OUR MISSION, VISION & GOAL:

- To ensure total customer satisfaction by emphasizing quality products, on time delivery, cost effective products & reliability by dedicated team work.
- To run with fast moving scenario in industrial segment with keeping eyes to the future also, by creating new ideas, continuous development of new products & innovation.
- To be one of the best company & leading brand by spreading the network in India & globally. For this we are always glad to welcome all those who want to be the part of **SIGMA FAMILY** by designate themselves as a dealer / distributor, representative or user of our any of the products.

## :REFERENCE DOCUMENTS:



## DOMESTIC & GLOBAL PRESENCE



AVAILABLE IN  
ALL MAJOR  
&  
EVEN IN SMALL  
CITIES IN INDIA...



**SIGMA INDUSTRIES**

*CABLE GLANDS, ACCESSORIES, COMPONENTS...*

[www.cgscableglands.com](http://www.cgscableglands.com)